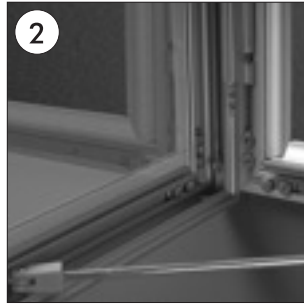


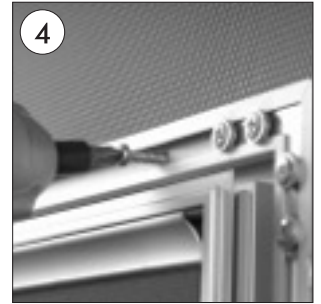
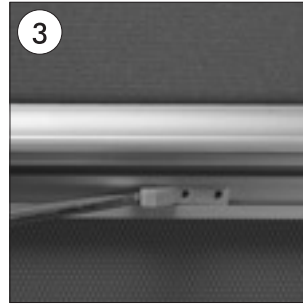
FELT SHOWBOARD



•Open the cover door.



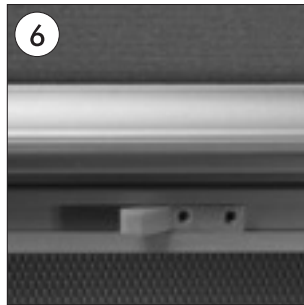
•Take out the metal bars from the slots inside the cover. Fix the cover in open position by leaning the ends of the metal bars to the plastic holder in the bottom and upper profiles of the frame.



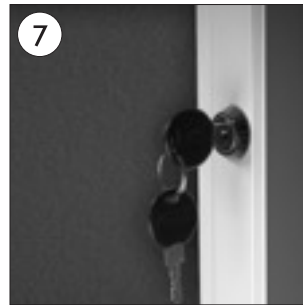
•Fix the frame to the wall through the holes in the canal.



•Attach the documents to the felt base with pushpins.



•Mount the metal bars to the slots, inside of the cover, after taking them out from the plastic holders. Lock the cover after closing.



•Please inform the order number on the product or on the carton (e.g. 1/110001394-460) to the place that you have made the purchase if any problem with the product occurs.

•All rights reserved. All pictures, figures and writings are secured internationally by copy-right law. Infringements will be sued by civil and legal law.