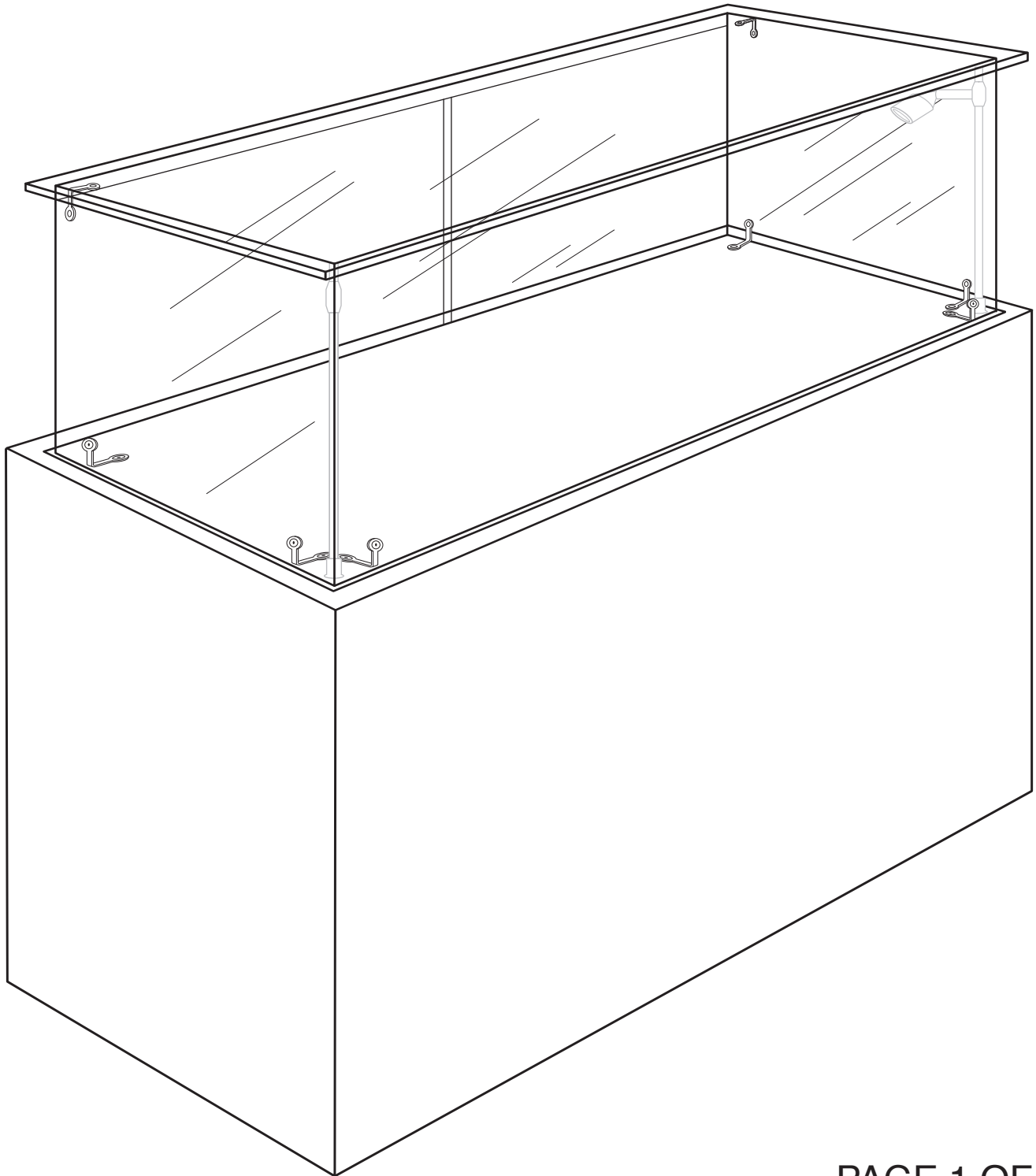


ASSEMBLY INSTRUCTIONS MANUAL

65282 (70" W) INFINITY JEWELRY SHOWCASE

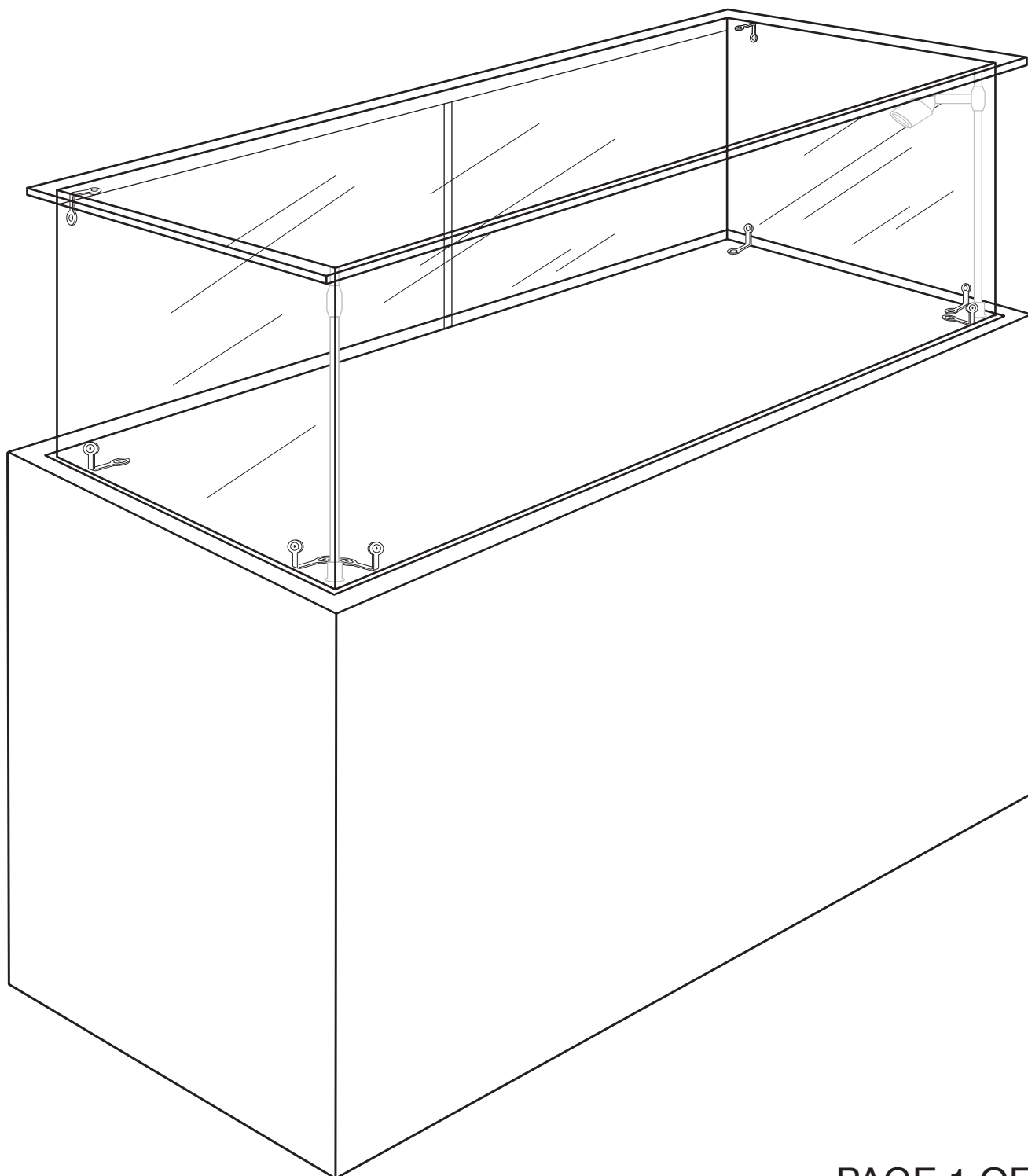
A. #65287 WITH LIGHTS (P. 1-10)
B. WITHOUT LIGHTS (P. 11-19)



ASSEMBLY INSTRUCTIONS MANUAL

65280 (48" W) INFINITY JEWELRY SHOWCASE

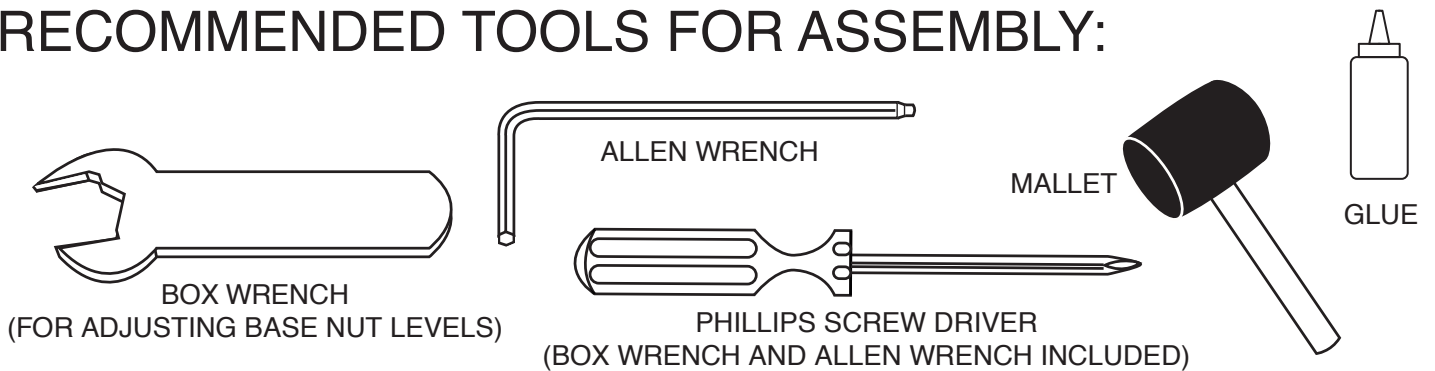
A. #65287 WITH LIGHTS (P. 1-10)
B. WITHOUT LIGHTS (P. 11-19)



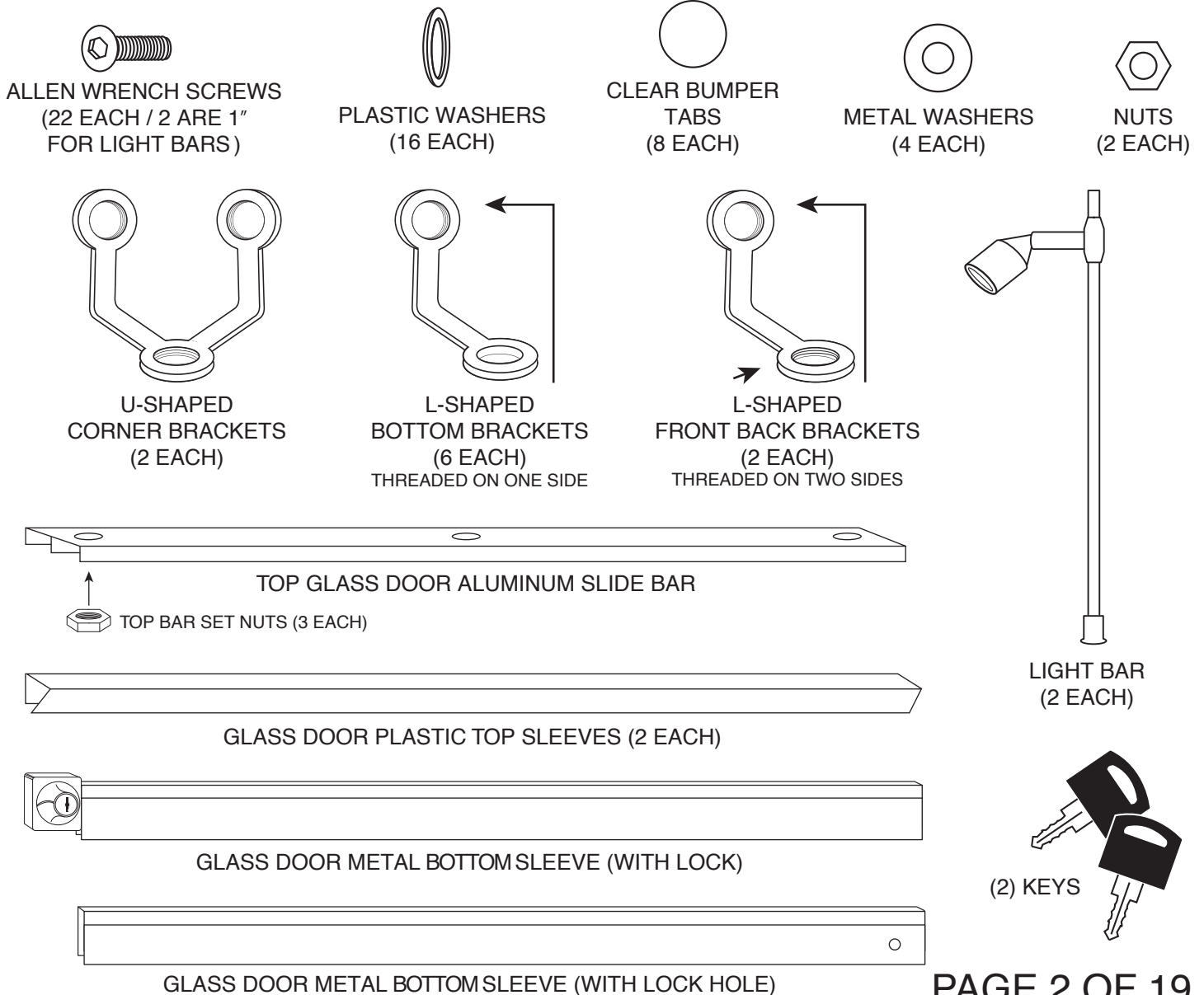
ASSEMBLY INSTRUCTIONS MANUAL

#65280/287 (48" W) INFINITY JEWELRY SHOWCASE W/LIGHTS

RECOMMENDED TOOLS FOR ASSEMBLY:



PARTS IN CARTON:



ASSEMBLY INSTRUCTIONS MANUAL

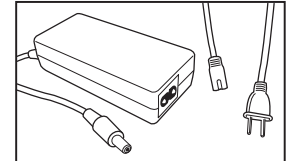
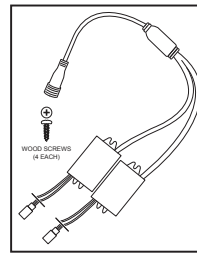
#65280/287 (48" W) INFINITY JEWELRY SHOWCASE W/LIGHTS

PARTS IN CARTON:

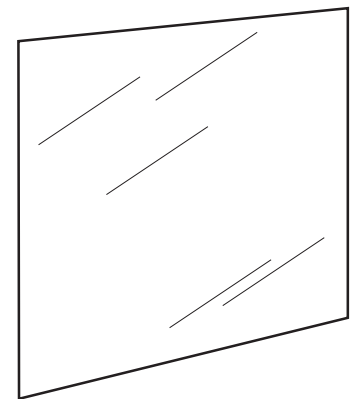
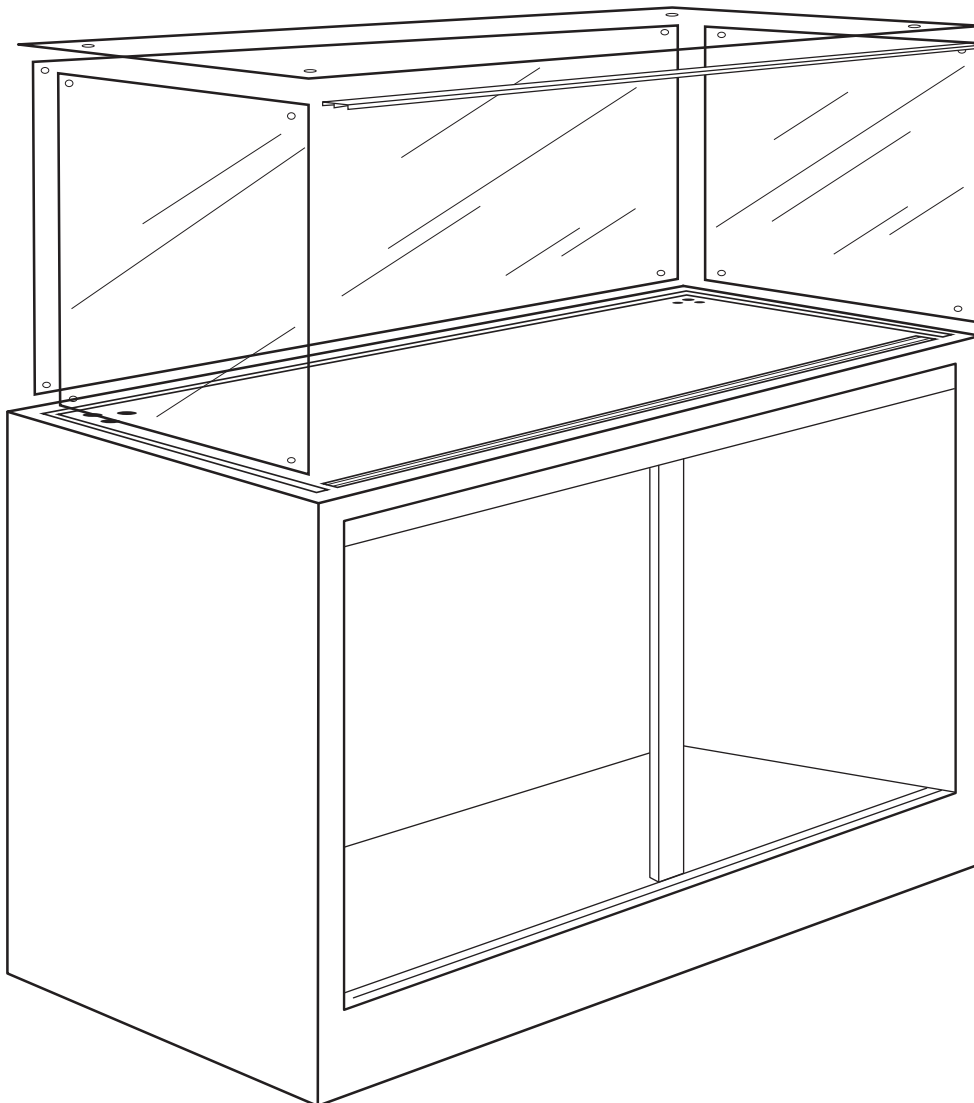
CAREFULLY REMOVE CABINET PIECES FROM PACKING. CABINET SETUP INCLUDES:

- (2 EACH) SLIDING GLASS DOORS
- (2 EACH - LEFT & RIGHT) SIDE GLASS
- (2 EACH) SLIDING BOTTOM DOORS
- TOP GLASS & FRONT GLASS
- LIGHT ADAPTOR & AC ADAPTOR / POWER CHORD
- CABINET BASE WITH ROLLERS (PRE-ASSEMBLED)

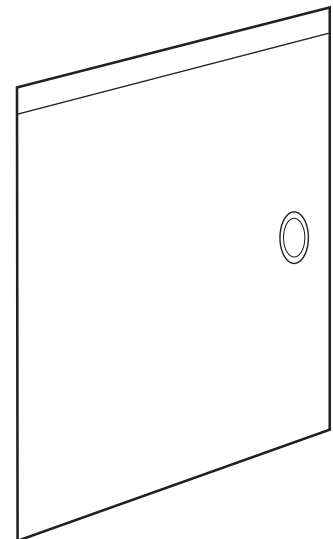
LIGHT ADAPTOR



AC ADAPTOR & POWER CHORD



SLIDING GLASS DOORS



SLIDING BOTTOM DOORS

ASSEMBLY INSTRUCTIONS MANUAL

#65280/287 (48" W) INFINITY JEWELRY SHOWCASE W/LIGHTS

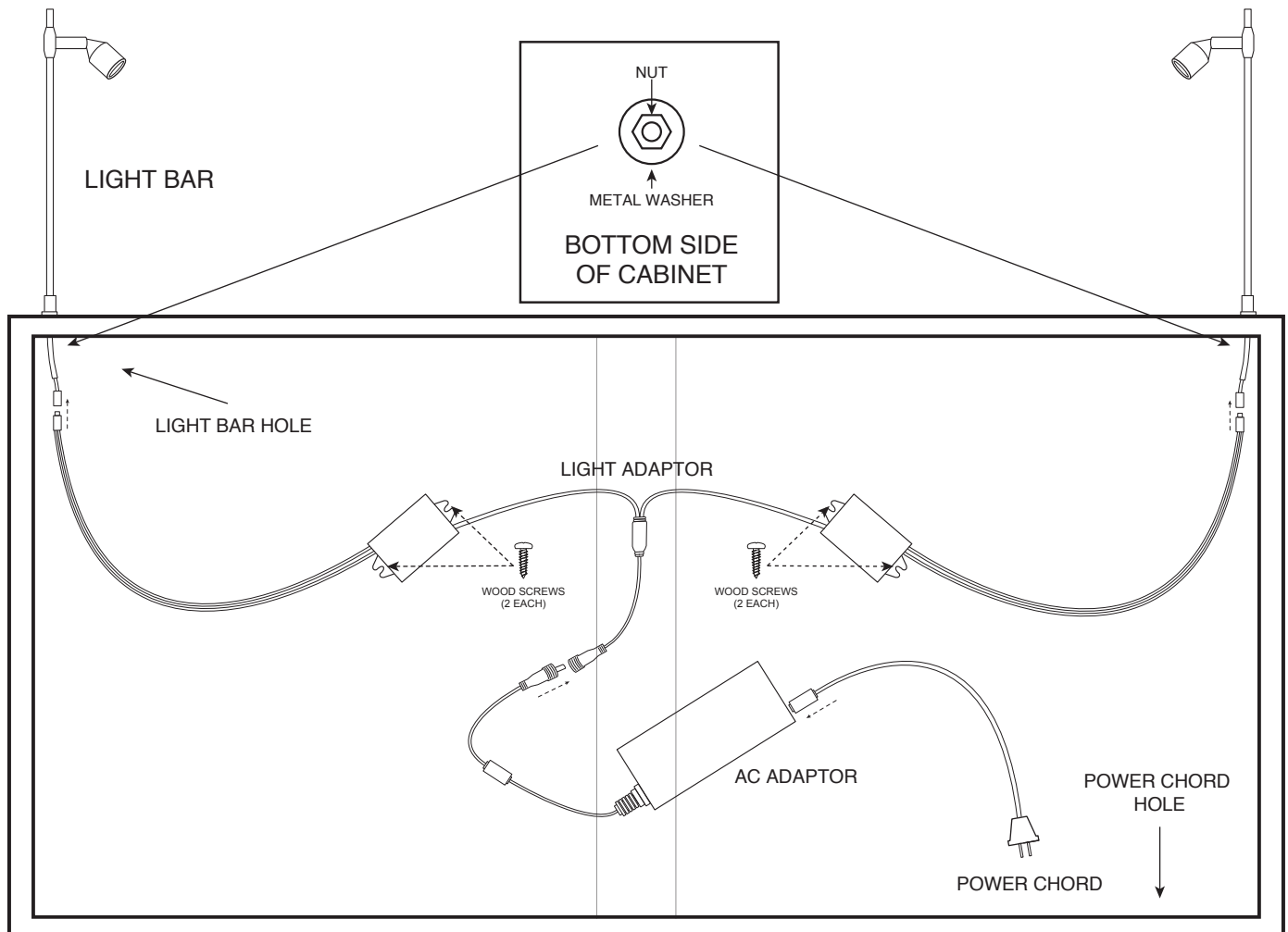
STEP 1. INSERT LIGHT BARS THROUGH WASHER, THEN LIGHT BAR HOLES IN BACK OF CABINET (WHERE SLIDING DOORS ARE LOCATED) AND SECURE WITH WASHER AND NUT ON BOTTOM SIDE OF CABINET WITH BOX WRENCH (PROVIDED).

***NOTE -** MAKE SURE LIGHT BARS ARE FACING INWARD - TOWARDS MIDDLE OF DISPLAY CASE.

STEP 2. ATTACH LIGHT ADAPTOR TO FRONT WALL WITH WOOD SCREWS USING A SCREWDRIVER. ATTACH LIGHT ADAPTOR END TO LIGHT BARS (2).

STEP 3. ATTACH LIGHT ADAPTOR TO AC ADAPTOR/POWER CHORD. WE RECOMMEND THAT YOU ATTACH IT TO THE FRONT WALL USING TWO WAY TAPE (NOT PROVIDED). OTHERWISE LET IT REST ON THE CABINET FLOOR.

RUN POWER CHORD THROUGH CUT-OUT ON CABINET FLOOR.



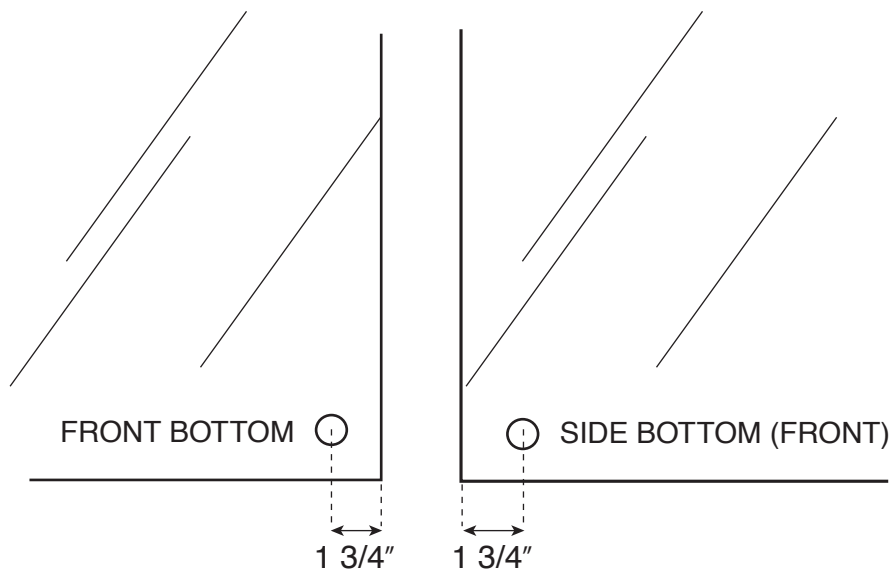
INSIDE OF BACK OF CABINET

ASSEMBLY INSTRUCTIONS MANUAL

#65280/287 (48" W) INFINITY JEWELRY SHOWCASE W/LIGHTS

IMPORTANT

BOTTOM OF FRONT BACK AND SIDE GLASS HAS A SLIGHTLY DIFFERENT HOLE PLACEMENT THAN THE TOP OF EACH PIECE OF GLASS



MEASURE THE GLASS SPACE BETWEEN EDGE OF GLASS AND CENTER OF HOLE.
HOLE FURTHEST FROM EDGE GOES ON BOTTOM.

GLASS CAN ONLY BE ASSEMBLED ONE WAY!

ASSEMBLY INSTRUCTIONS MANUAL

#65280/287 (48" W) INFINITY JEWELRY SHOWCASE W/LIGHTS

*** IN STEPS 4 THROUGH 9 OF THE ASSEMBLY - TWO PEOPLE ARE RECOMMENDED**

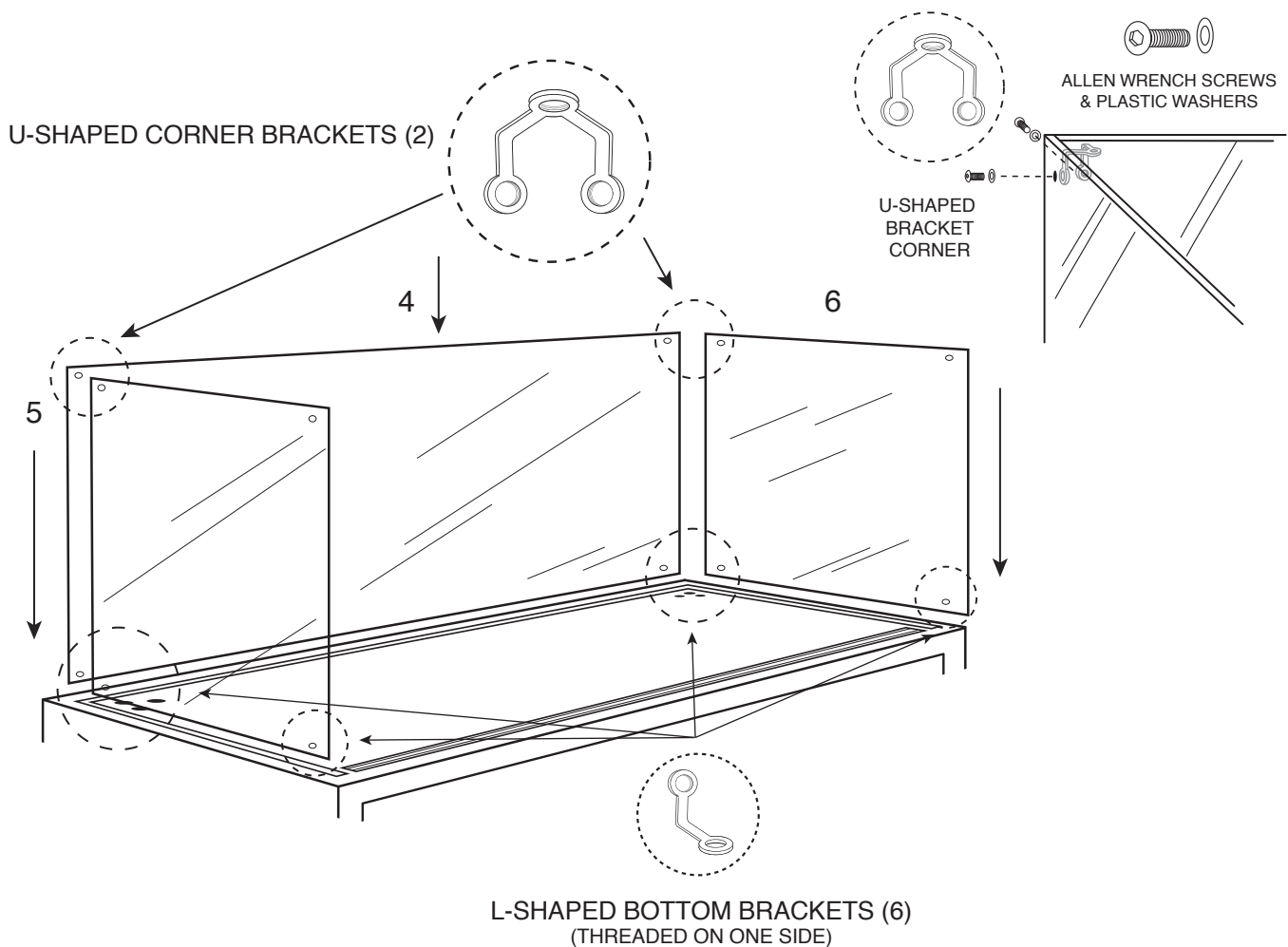
STEP 4. PLACE FRONT GLASS PANEL INTO FRONT GROOVE OF CABINET TOP. MAKE SURE GLASS PRECISELY FITS FRONT BASE GROOVE IN ORDER TO ACCOMODATE THE SIDE PANELS NEXT. MAKE CERTAIN ON BOTH BACK AND SIDE PANELS THAT YOU RECOGNIZE THE BOTTOM OF EACH PANEL CORRECTLY. *(SEE PAGE 5 FOR GLASS PLACEMENT)*

STEP 5. PLACE LEFT SIDE GLASS INTO BASE GROOVE WHILE HOLDING FRONT GLASS TO LINE UP FIRST GLASS BRACKET. ATTACH U-BRACKET WITH ALLEN WRENCH SCREWS AND WASHERS.

STEP 6. REPEAT STEP 5 FOR RIGHT SIDE.

STEP 7. HAND SCREW IN BOTTOM BRACKETS. DO NOT TIGHTEN WITH ALLEN WRENCH YET. THIS ALLOWS FLEXIBILITY UNTIL ASSEMBLY IS NEARLY COMPLETE.

STEP 8. WHEN BOTH SIDE PANELS ARE COMPLETE, USE ALLEN WRENCH TO TIGHTEN. *(DO NOT OVER TIGHTEN)*

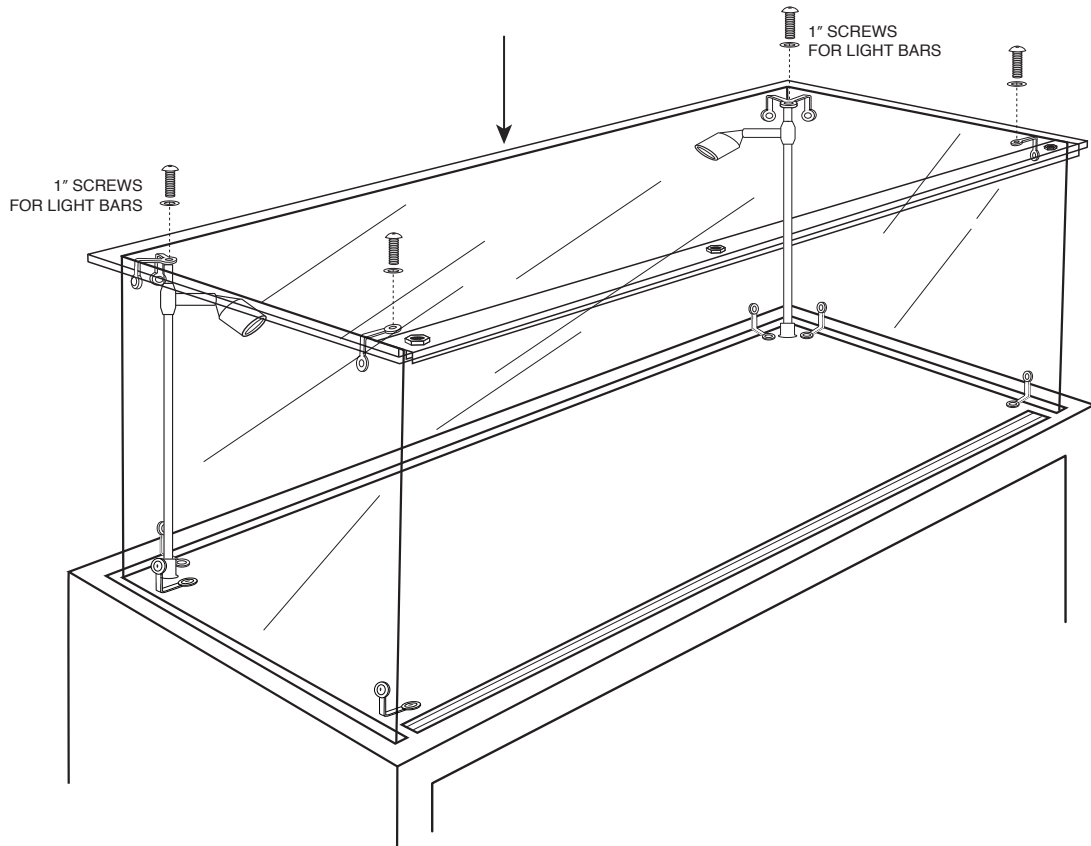


ASSEMBLY INSTRUCTIONS MANUAL

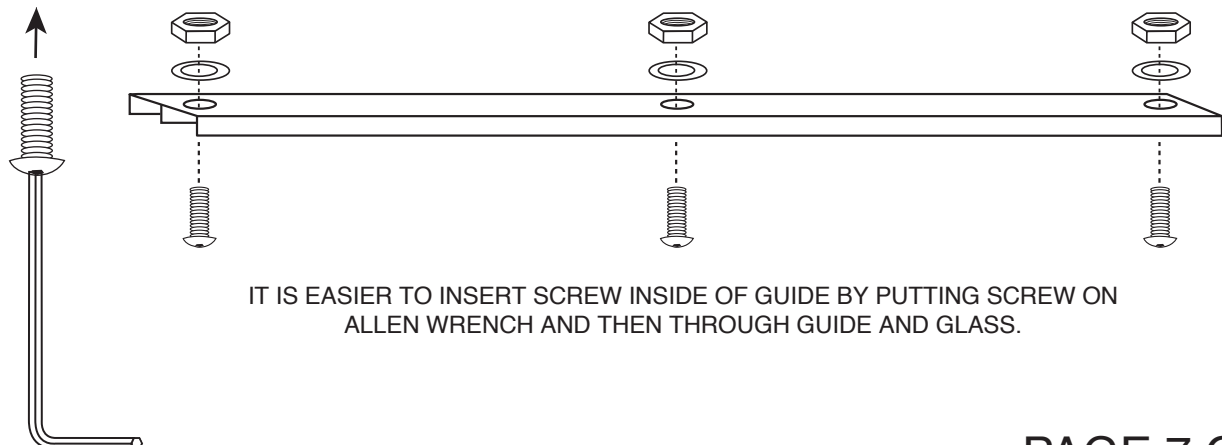
#65280/287 (48" W) INFINITY JEWELRY SHOWCASE W/LIGHTS

STEP 9. CAREFULLY SLIDE TOP GLASS ONTO CABINET MAKING SURE YOU HAVE AN OVERLAP ON BOTH SIDES.

STEP 10. SCREW ALLEN SCREWS (WITH PLASTIC WASHERS) INTO BOTH U-BRACKETS AND L-BRACKETS ON TOP. (**DO NOT OVER TIGHTEN**)



STEP 11. PLACE TOP GLASS DOOR ALUMINUM SLIDE GUIDE UNDER TOP GLASS.

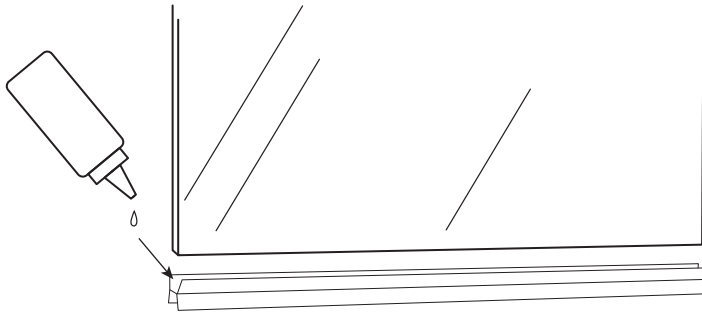


IT IS EASIER TO INSERT SCREW INSIDE OF GUIDE BY PUTTING SCREW ON ALLEN WRENCH AND THEN THROUGH GUIDE AND GLASS.

ASSEMBLY INSTRUCTIONS MANUAL

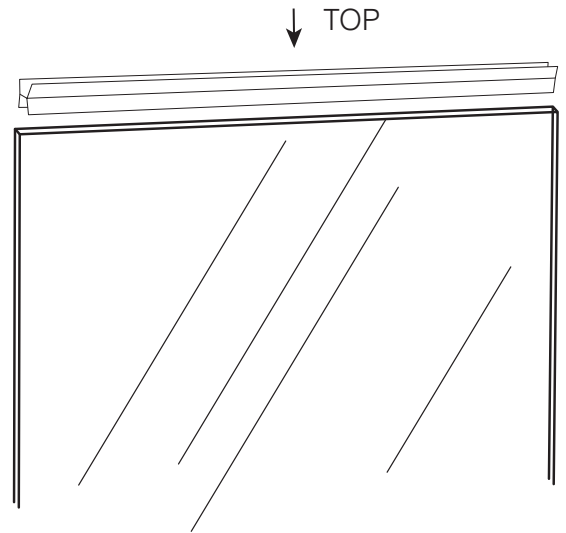
#65280/287 (48" W) INFINITY JEWELRY SHOWCASE W/LIGHTS

STEP 12. INSTALLING SLIDING GLASS DOORS. PLACE CLEAR PLASTIC SLEEVES ON TOP OF GLASS DOORS. TAP ON SLEEVES WITH RUBBER Mallet.

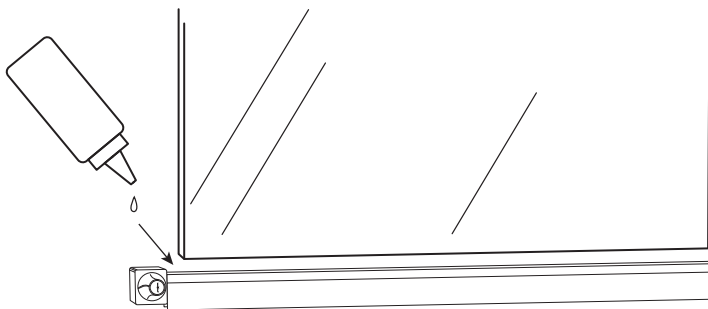


RUN BEAD OF ANY TYPE OF GLUE ON INSIDE (BOTTOM) OF TOP PLASTIC SLEEVE. THEN TAP SLEEVES ON TOP OF THE GLASS WITH A RUBBER Mallet.

THIS PREVENTS THE SLEEVES FROM MOVING ONCE ASSEMBLY IS COMPLETE AND DOORS ARE MOVED.

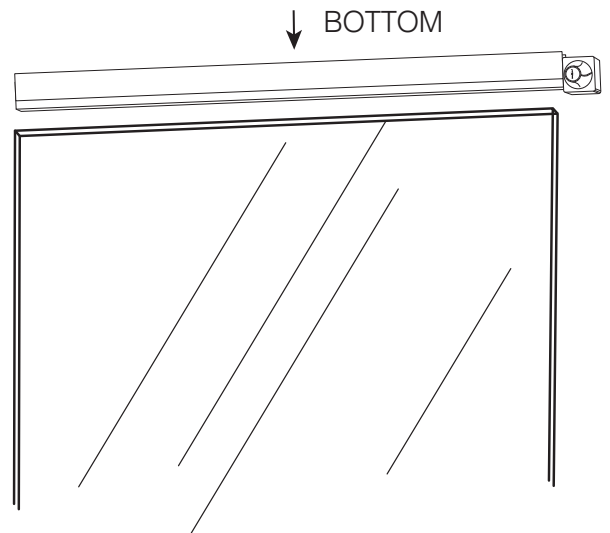


PLACE METAL SLEEVES (WITH LOCK TO THE LEFT) ON BOTTOM OF GLASS DOORS. TAP ON SLEEVES WITH RUBBER Mallet.



RUN BEAD OF ANY TYPE OF GLUE ON INSIDE (TOP) OF BOTTOM METAL SLEEVE. THEN TAP SLEEVES ON BOTTOM OF THE GLASS WITH A RUBBER Mallet.

THIS PREVENTS THE SLEEVES FROM MOVING ONCE ASSEMBLY IS COMPLETE AND DOORS ARE MOVED.

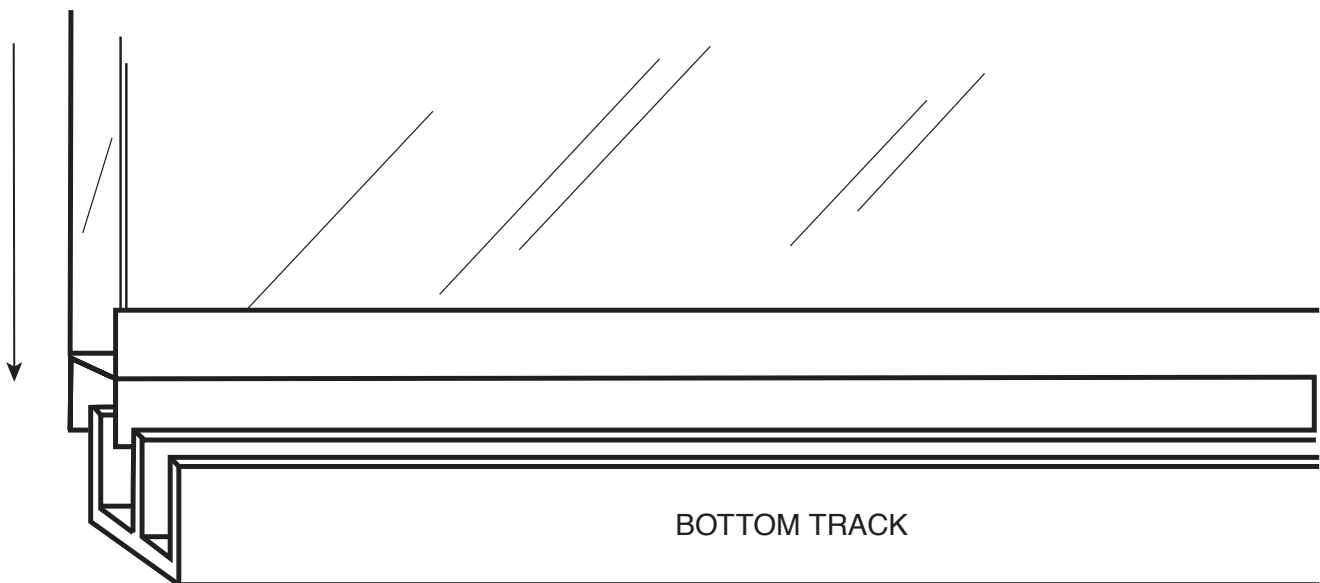


ASSEMBLY INSTRUCTIONS MANUAL

#65280/287 (48" W) INFINITY JEWELRY SHOWCASE W/LIGHTS

STEP 13. INSERT LEFT DOOR (WITHOUT LOCK - MAKE SURE HOLE IN BOTTOM METAL SLEEVE IS FACING YOU / ON THE RIGHT) INTO TOP OF BACK TRACK, THEN LOWER INTO BOTTOM BACK TRACK AND SLIDE TO THE LEFT.

INSERT RIGHT DOOR (INSTALLED LOCK ASSEMBLY ON THE LEFT) INTO TOP OF FRONT TRACK, THEN LOWER INTO BOTTOM FRONT TRACK AND SLIDE TO THE RIGHT.



ASSEMBLY INSTRUCTIONS MANUAL

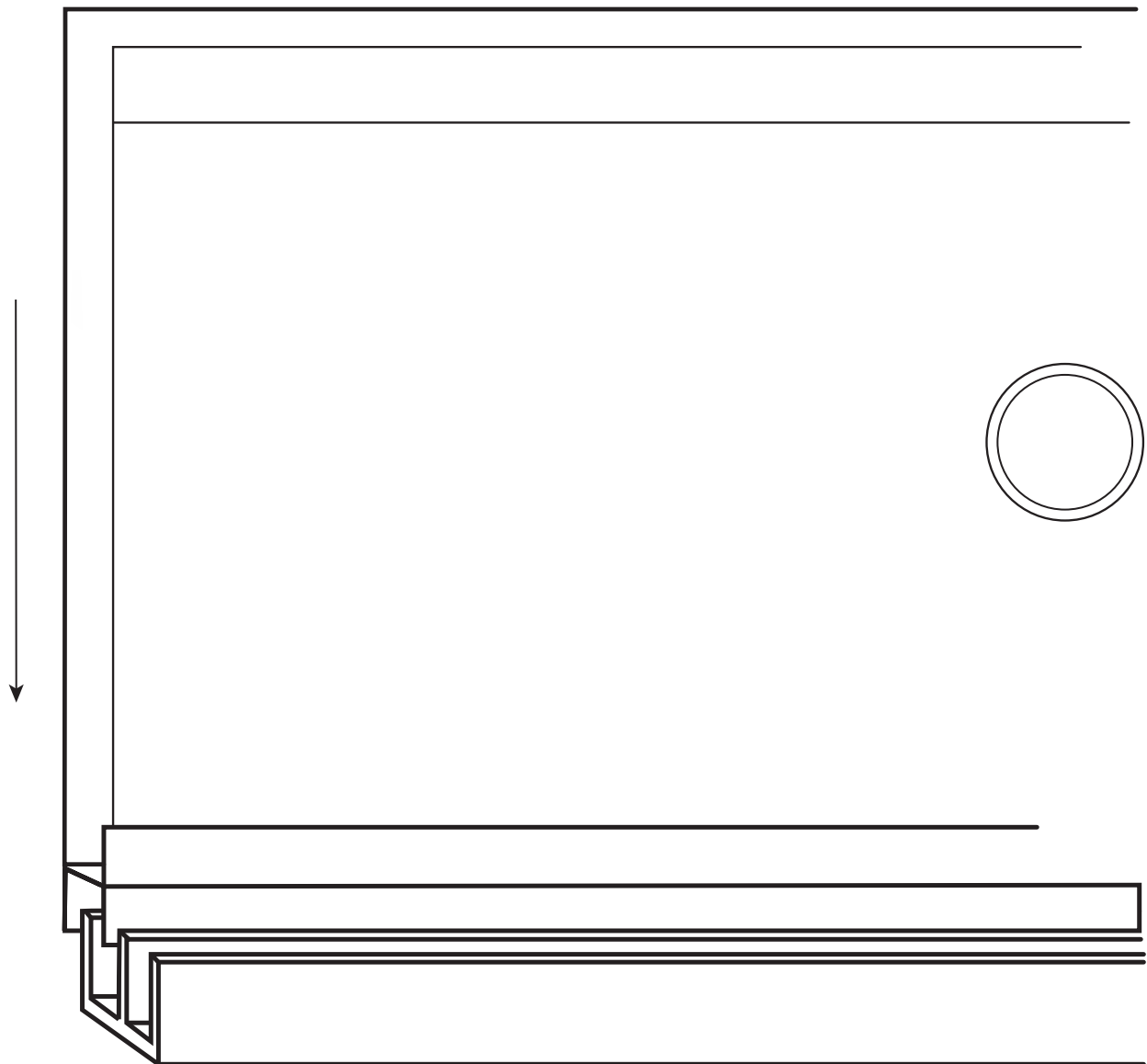
#65280/287 (48" W) INFINITY JEWELRY SHOWCASE W/LIGHTS

STEP 14. INSTALLING BOTTOM SLIDING DOORS

INSERT LEFT DOOR INTO TOP OF BACK TRACK, THEN LOWER INTO BOTTOM BACK TRACK AND SLIDE TO THE LEFT.

INSERT RIGHT DOOR INTO TOP OF FRONT TRACK, THEN LOWER INTO BOTTOM FRONT TRACK AND SLIDE TO THE RIGHT.

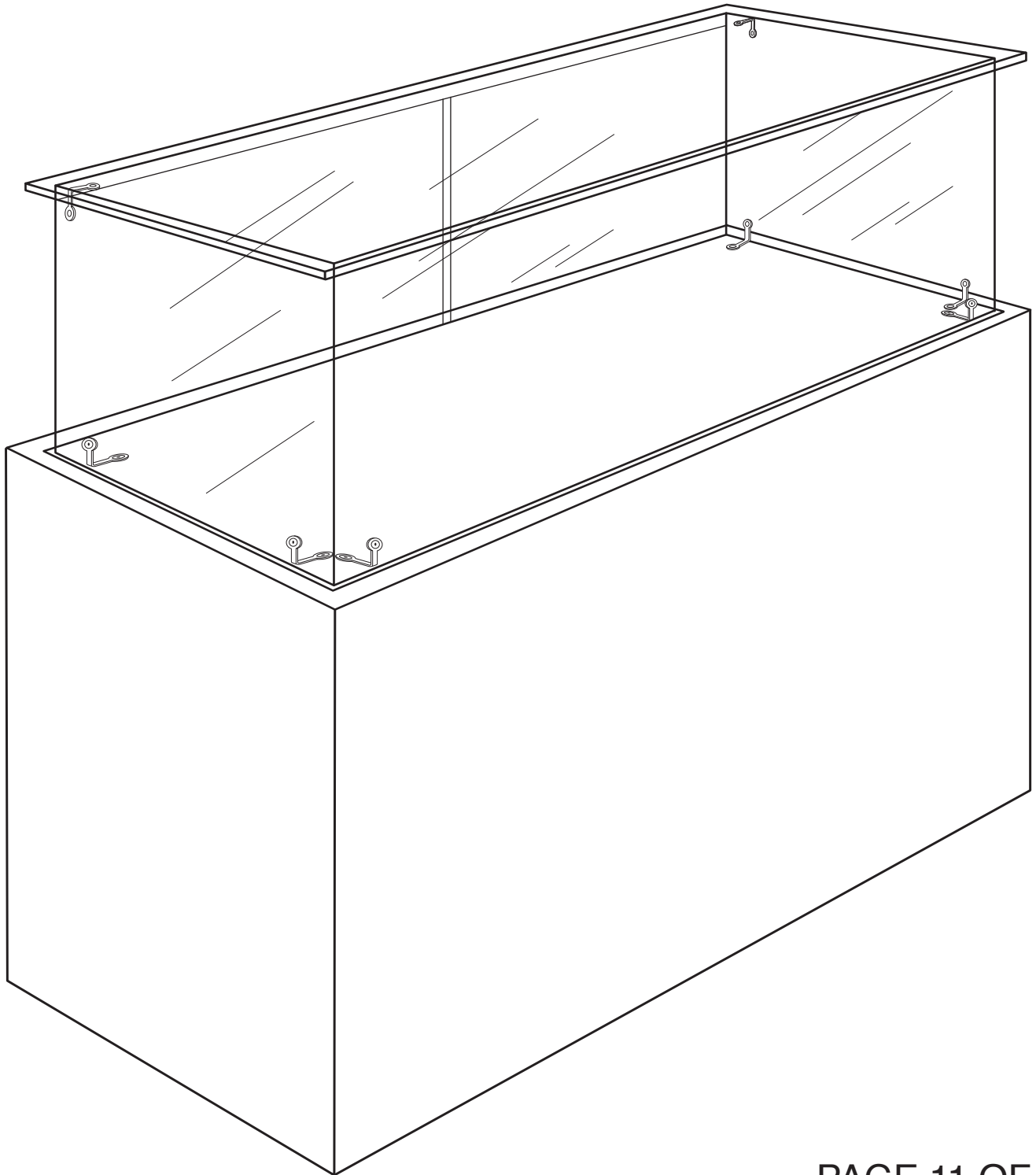
THIS COMPLETES THE ASSEMBLY.



BOTTOM SLIDING DOORS

ASSEMBLY INSTRUCTIONS MANUAL

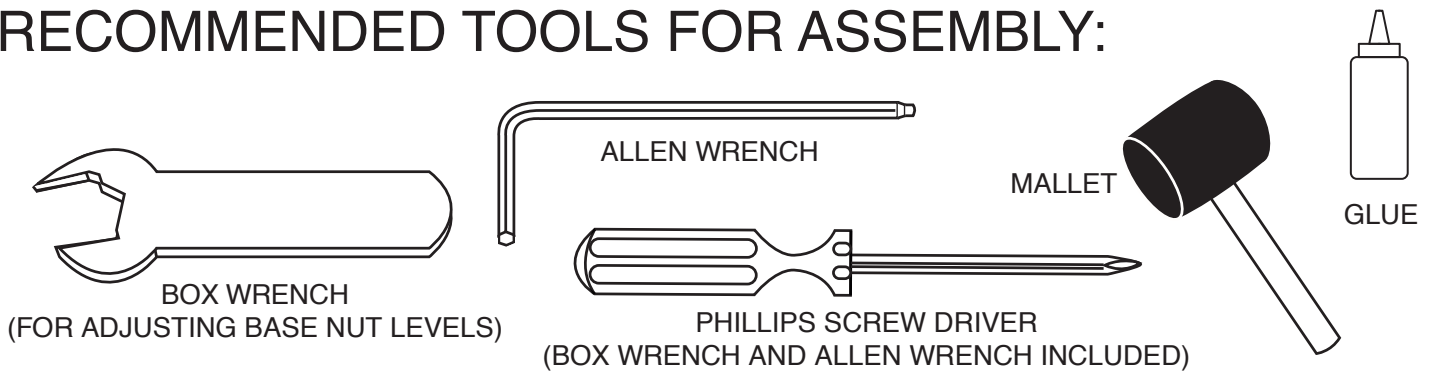
65280 (48" W) INFINITY JEWELRY SHOWCASE



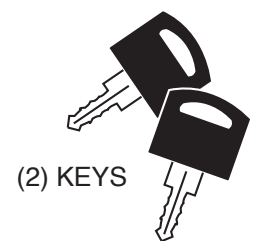
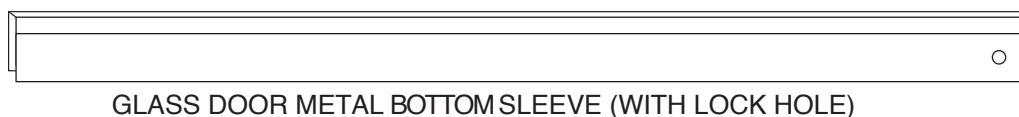
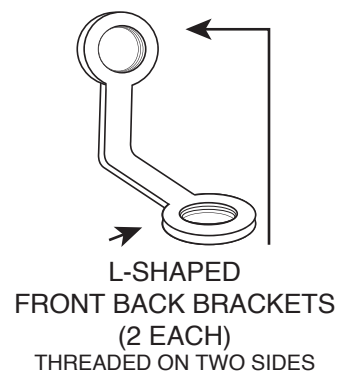
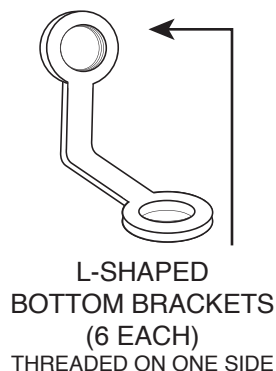
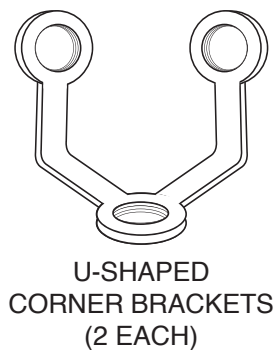
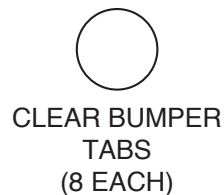
ASSEMBLY INSTRUCTIONS MANUAL

65280 (48" W) INFINITY JEWELRY SHOWCASE

RECOMMENDED TOOLS FOR ASSEMBLY:



PARTS IN CARTON:



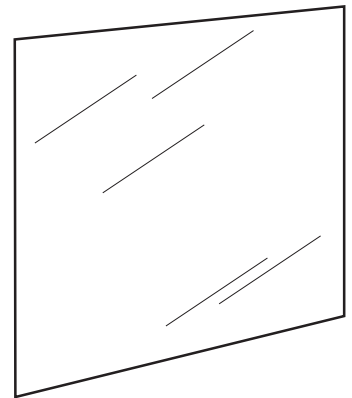
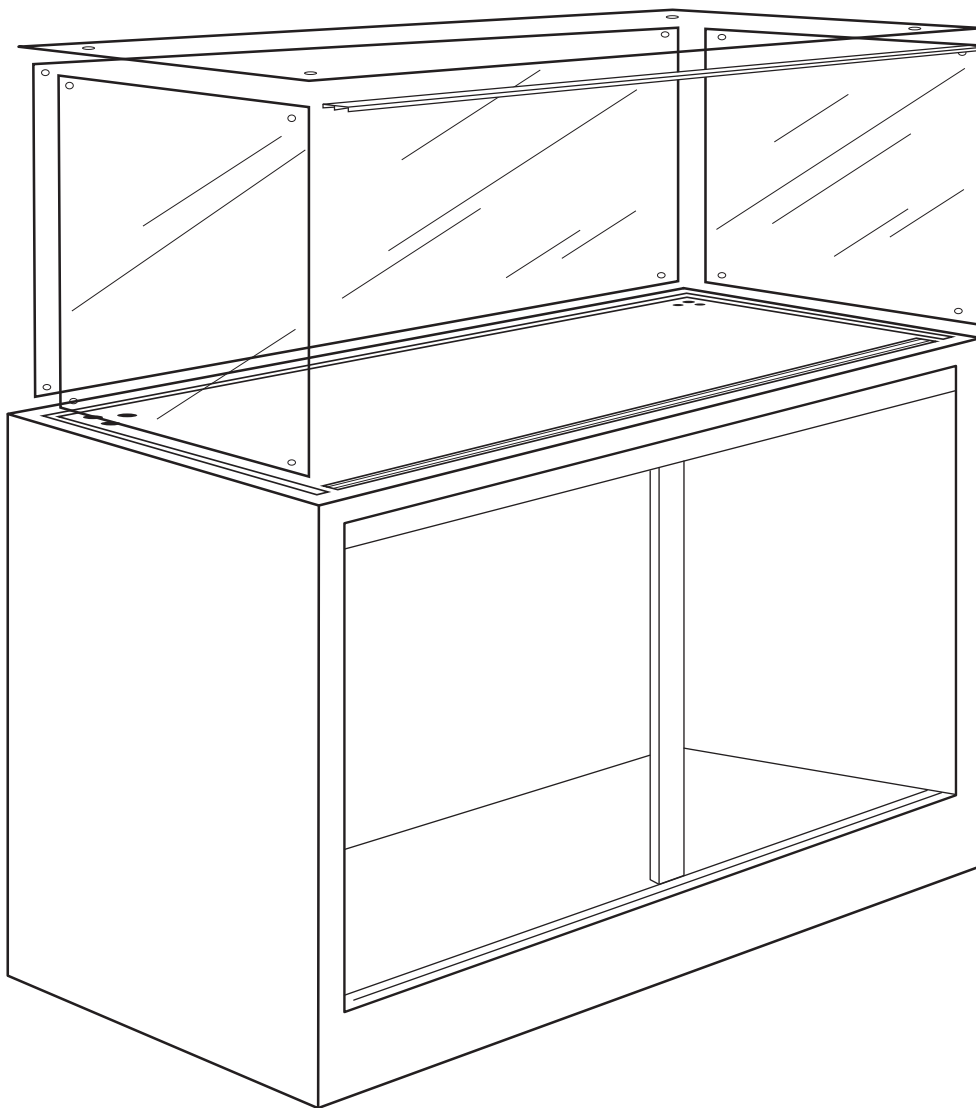
ASSEMBLY INSTRUCTIONS MANUAL

65280 (48" W) INFINITY JEWELRY SHOWCASE

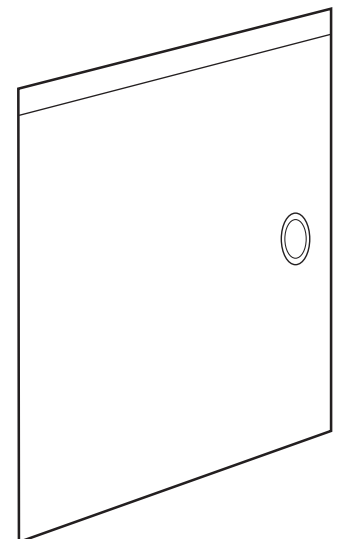
PARTS IN CARTON:

CAREFULLY REMOVE CABINET PIECES FROM PACKING. CABINET SETUP INCLUDES:

- (2 EACH) SLIDING GLASS DOORS
- (2 EACH - LEFT & RIGHT) SIDE GLASS
- (2 EACH) SLIDING BOTTOM DOORS
- TOP GLASS & FRONT GLASS



SLIDING GLASS DOORS



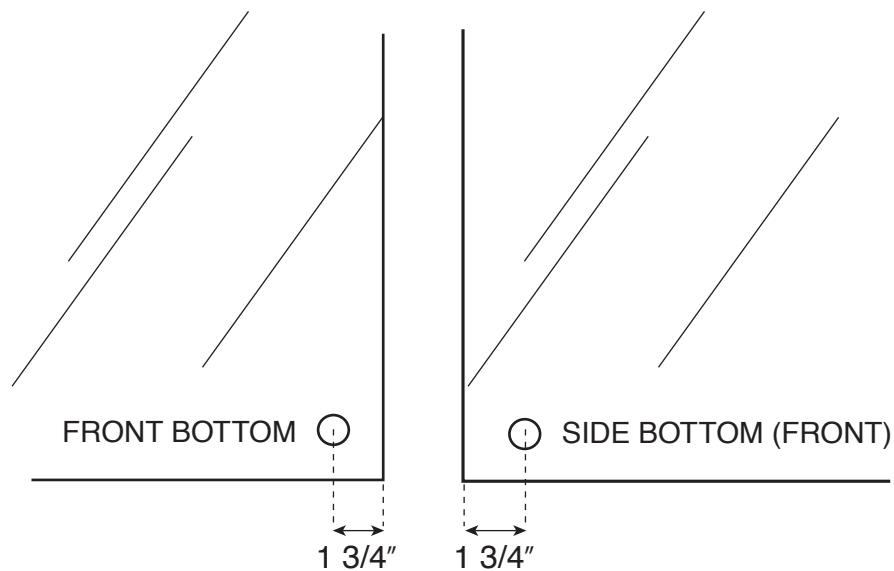
SLIDING BOTTOM DOORS

ASSEMBLY INSTRUCTIONS MANUAL

65280 (48" W) INFINITY JEWELRY SHOWCASE

IMPORTANT

BOTTOM OF FRONT BACK AND SIDE GLASS HAS A SLIGHTLY DIFFERENT HOLE PLACEMENT THAN THE TOP OF EACH PIECE OF GLASS



MEASURE THE GLASS SPACE BETWEEN EDGE OF GLASS AND CENTER OF HOLE.
HOLE FURTHEST FROM EDGE GOES ON BOTTOM.

GLASS CAN ONLY BE ASSEMBLED ONE WAY!

ASSEMBLY INSTRUCTIONS MANUAL

65280 (48" W) INFINITY JEWELRY SHOWCASE

*** IN STEPS 1 THROUGH 4 OF THE ASSEMBLY - TWO PEOPLE ARE RECOMMENDED**

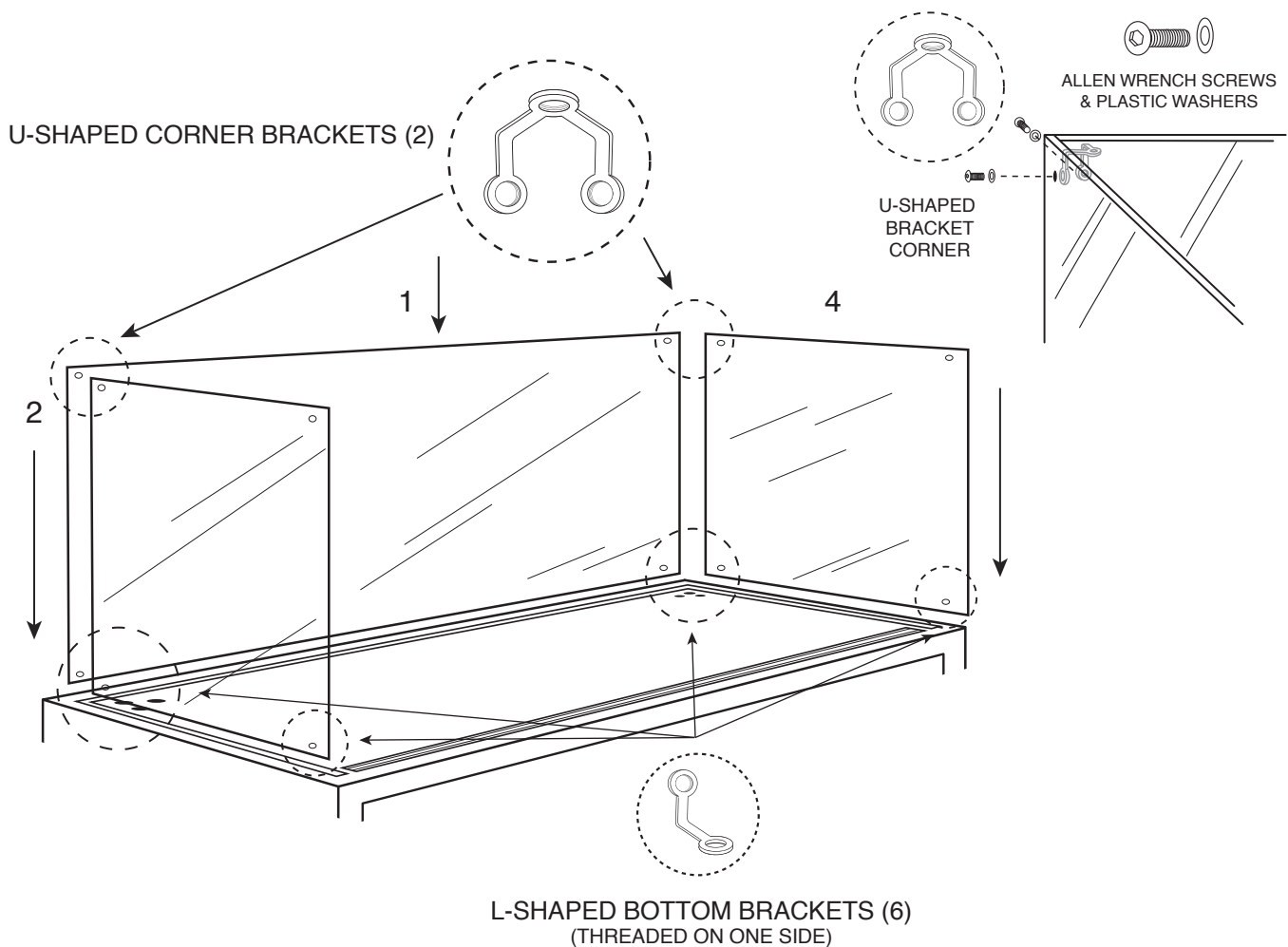
STEP 1. PLACE FRONT GLASS PANEL INTO FRONT GROOVE OF CABINET TOP. MAKE SURE GLASS PRECISELY FITS FRONT BASE GROOVE IN ORDER TO ACCOMODATE THE SIDE PANELS NEXT. MAKE CERTAIN ON BOTH BACK AND SIDE PANELS THAT YOU RECOGNIZE THE BOTTOM OF EACH PANEL CORRECTLY. *(SEE PAGE 5 FOR GLASS PLACEMENT)*

STEP 2. PLACE LEFT SIDE GLASS INTO BASE GROOVE WHILE HOLDING FRONT GLASS TO LINE UP FIRST GLASS BRACKET. ATTACH U-BRACKET WITH ALLEN WRENCH SCREWS AND WASHERS.

STEP 3. REPEAT STEP 5 FOR RIGHT SIDE.

STEP 4. HAND SCREW IN BOTTOM BRACKETS. DO NOT TIGHTEN WITH ALLEN WRENCH YET. THIS ALLOWS FLEXIBILITY UNTIL ASSEMBLY IS NEARLY COMPLETE.

STEP 5. WHEN BOTH SIDE PANELS ARE COMPLETE, USE ALLEN WRENCH TO TIGHTEN. *(DO NOT OVER TIGHTEN)*

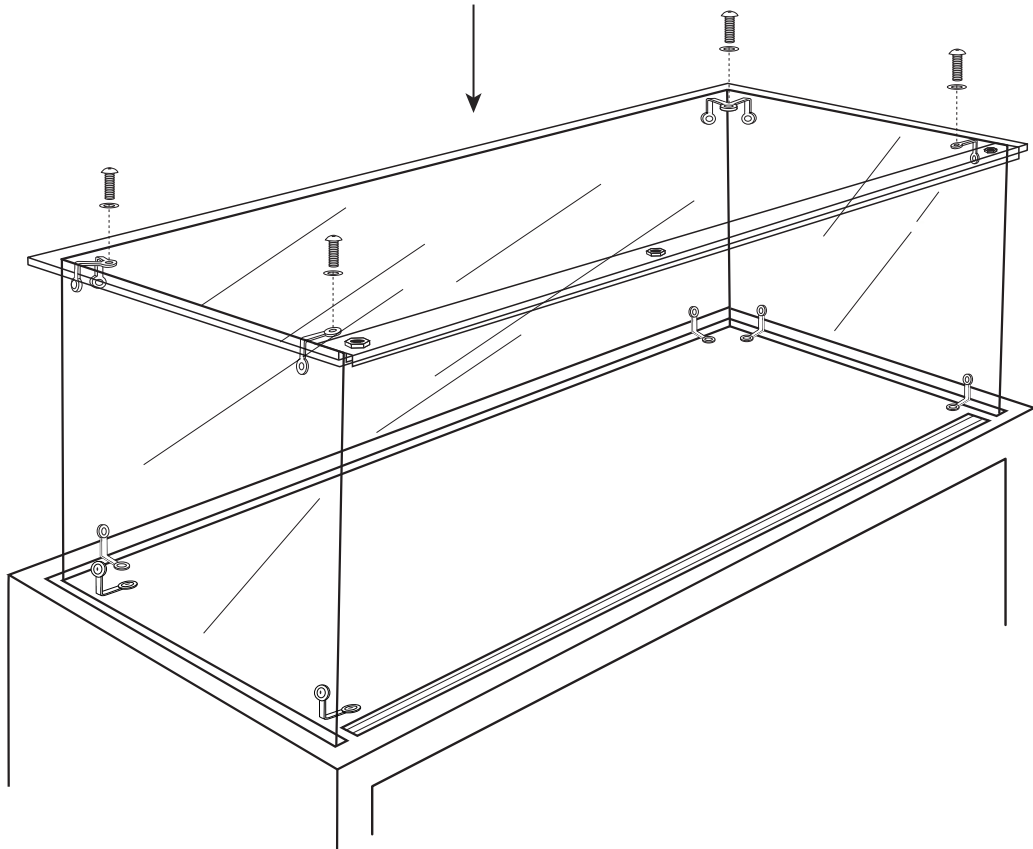


ASSEMBLY INSTRUCTIONS MANUAL

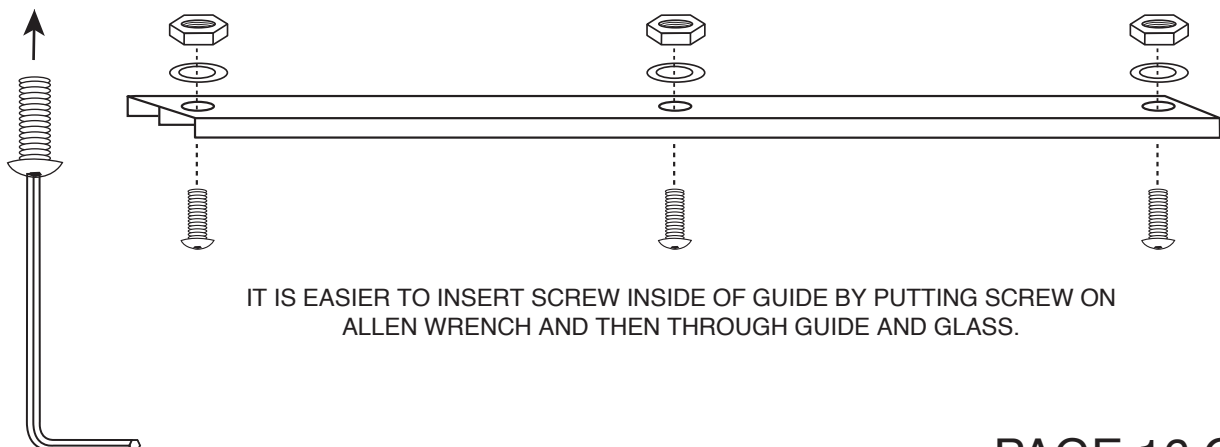
65280 (48" W) INFINITY JEWELRY SHOWCASE

STEP 6. CAREFULLY SLIDE TOP GLASS ONTO CABINET MAKING SURE YOU HAVE AN OVERLAP ON BOTH SIDES.

STEP 7. SCREW ALLEN SCREWS (WITH PLASTIC WASHERS) INTO BOTH U-BRACKETS AND L-BRACKETS ON TOP. (**DO NOT OVER TIGHTEN**)



STEP 8. PLACE TOP GLASS DOOR ALUMINUM SLIDE GUIDE UNDER TOP GLASS.

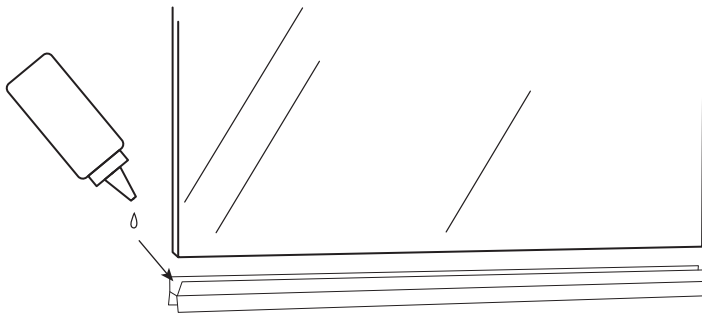


IT IS EASIER TO INSERT SCREW INSIDE OF GUIDE BY PUTTING SCREW ON ALLEN WRENCH AND THEN THROUGH GUIDE AND GLASS.

ASSEMBLY INSTRUCTIONS MANUAL

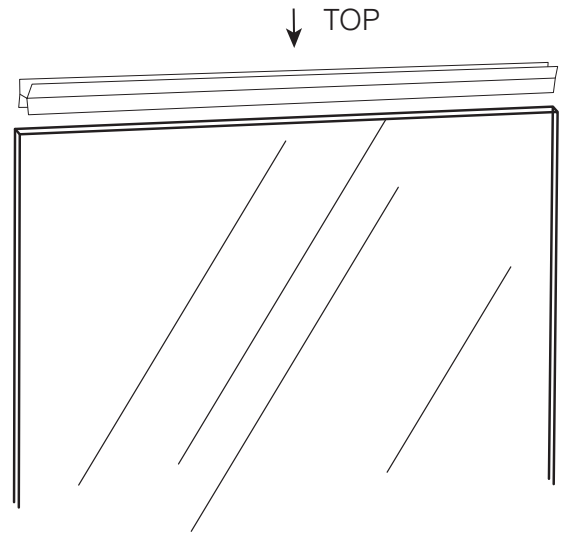
65280 (48" W) INFINITY JEWELRY SHOWCASE

STEP 9. INSTALLING SLIDING GLASS DOORS. PLACE CLEAR PLASTIC SLEEVES ON TOP OF GLASS DOORS. TAP ON SLEEVES WITH RUBBER Mallet.

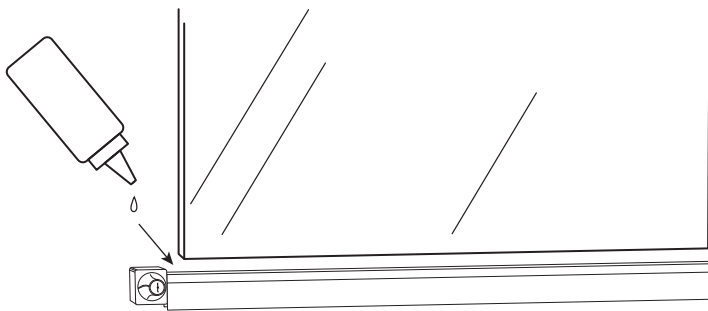


RUN BEAD OF ANY TYPE OF GLUE ON INSIDE (BOTTOM) OF TOP PLASTIC SLEEVE. THEN TAP SLEEVES ON TOP OF THE GLASS WITH A RUBBER Mallet.

THIS PREVENTS THE SLEEVES FROM MOVING ONCE ASSEMBLY IS COMPLETE AND DOORS ARE MOVED.

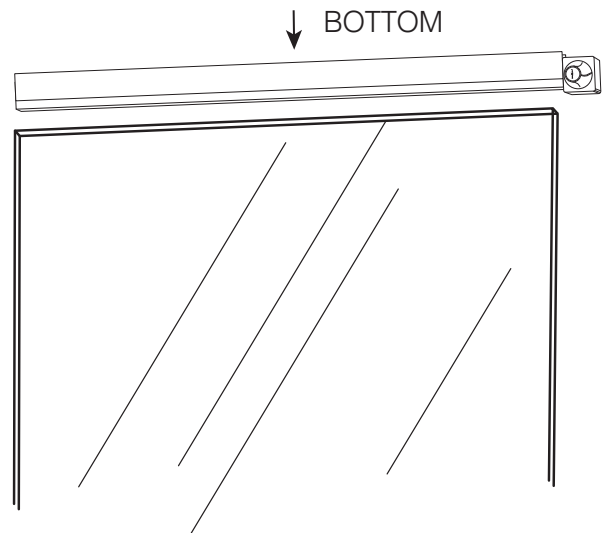


PLACE METAL SLEEVES (WITH LOCK TO THE LEFT) ON BOTTOM OF GLASS DOORS. TAP ON SLEEVES WITH RUBBER Mallet.



RUN BEAD OF ANY TYPE OF GLUE ON INSIDE (TOP) OF BOTTOM METAL SLEEVE. THEN TAP SLEEVES ON BOTTOM OF THE GLASS WITH A RUBBER Mallet.

THIS PREVENTS THE SLEEVES FROM MOVING ONCE ASSEMBLY IS COMPLETE AND DOORS ARE MOVED.

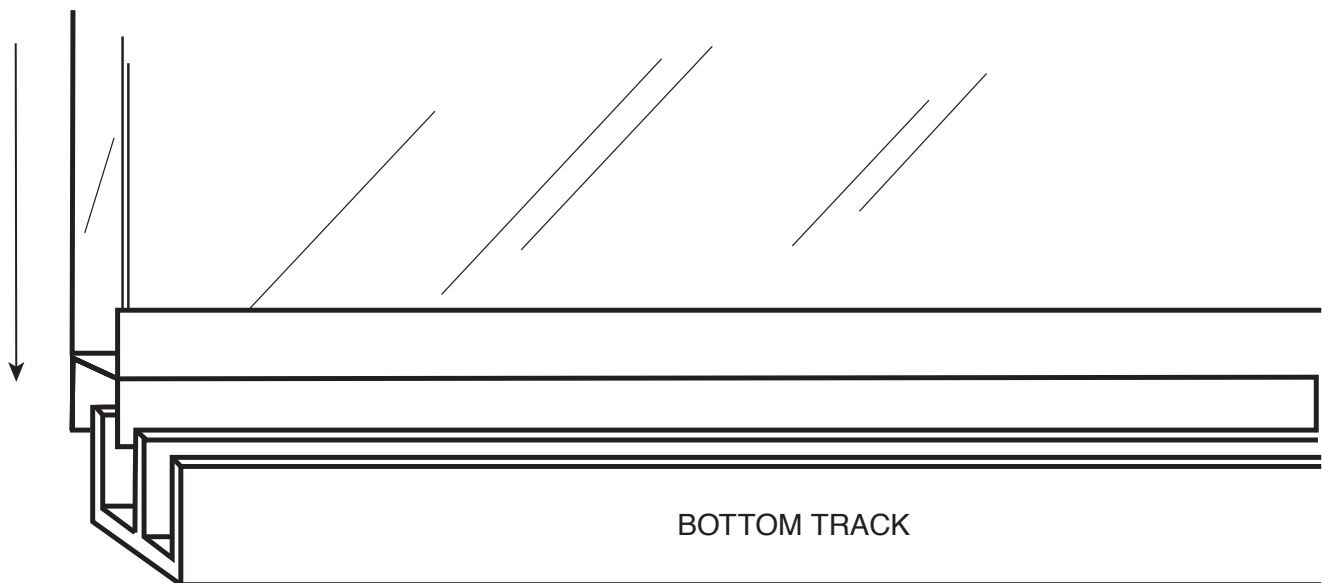


ASSEMBLY INSTRUCTIONS MANUAL

65280 (48" W) INFINITY JEWELRY SHOWCASE

STEP 10. INSERT LEFT DOOR (WITHOUT LOCK - MAKE SURE HOLE IN BOTTOM METAL SLEEVE IS FACING YOU / ON THE RIGHT) INTO TOP OF BACK TRACK, THEN LOWER INTO BOTTOM BACK TRACK AND SLIDE TO THE LEFT.

INSERT RIGHT DOOR (INSTALLED LOCK ASSEMBLY ON THE LEFT) INTO TOP OF FRONT TRACK, THEN LOWER INTO BOTTOM FRONT TRACK AND SLIDE TO THE RIGHT.



ASSEMBLY INSTRUCTIONS MANUAL

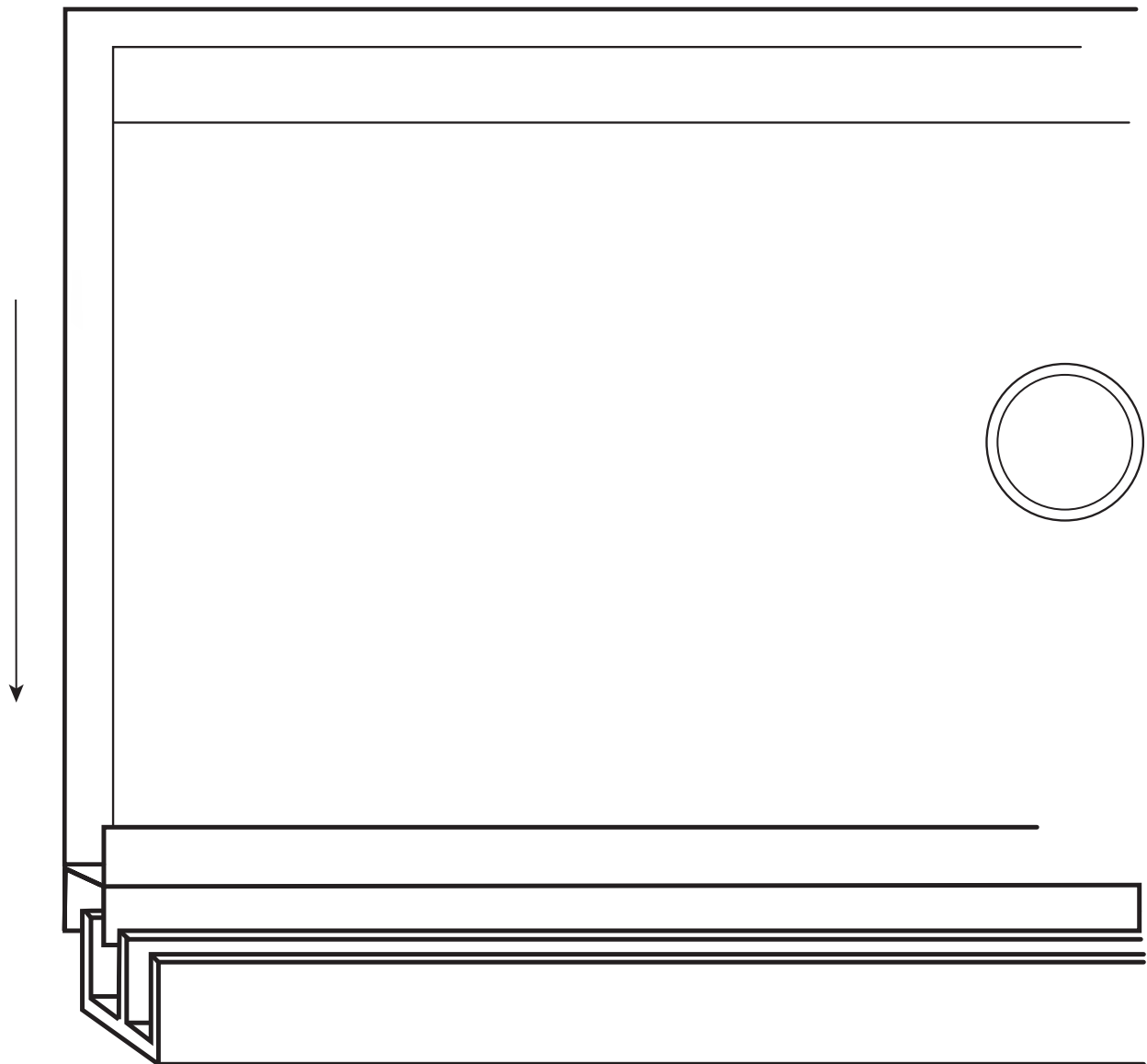
65280 (48" W) INFINITY JEWELRY SHOWCASE

STEP 11. INSTALLING BOTTOM SLIDING DOORS

INSERT LEFT DOOR INTO TOP OF BACK TRACK, THEN LOWER INTO BOTTOM BACK TRACK AND SLIDE TO THE LEFT.

INSERT RIGHT DOOR INTO TOP OF FRONT TRACK, THEN LOWER INTO BOTTOM FRONT TRACK AND SLIDE TO THE RIGHT.

THIS COMPLETES THE ASSEMBLY.

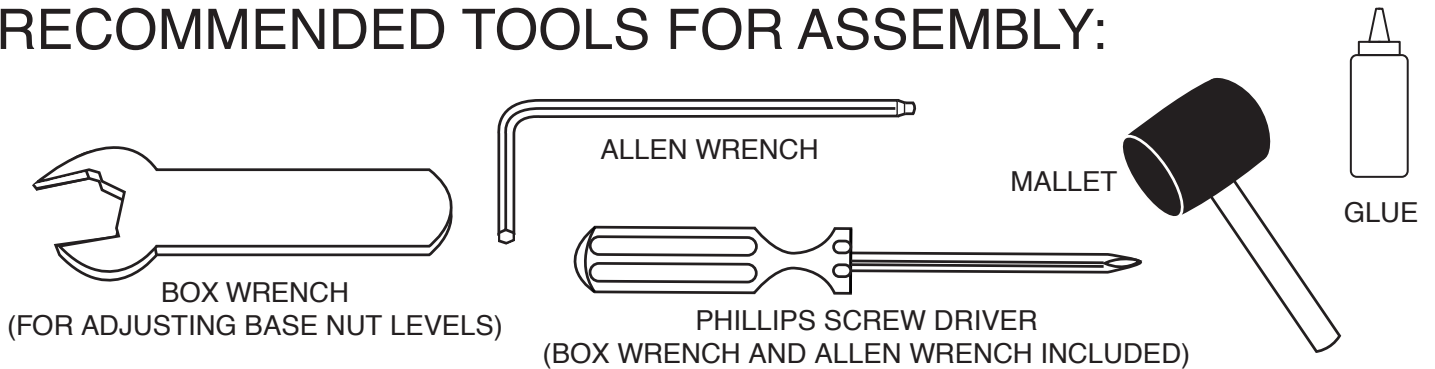


BOTTOM SLIDING DOORS

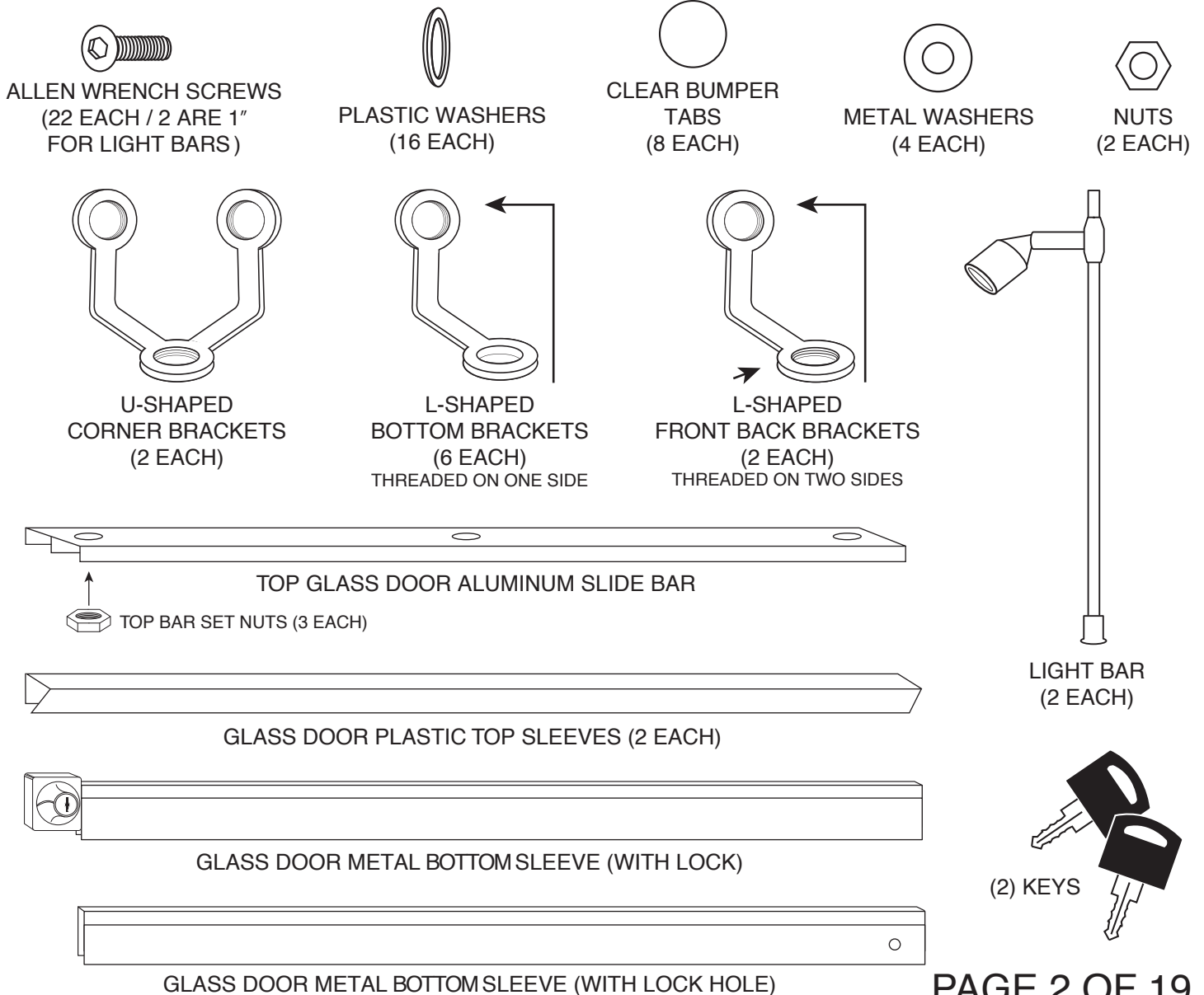
ASSEMBLY INSTRUCTIONS MANUAL

#65282/287 (70" W) INFINITY JEWELRY SHOWCASE W/LIGHTS

RECOMMENDED TOOLS FOR ASSEMBLY:



PARTS IN CARTON:



ASSEMBLY INSTRUCTIONS MANUAL

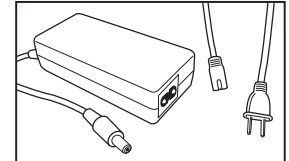
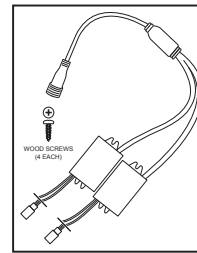
#65282/287 (70" W) INFINITY JEWELRY SHOWCASE W/LIGHTS

PARTS IN CARTON:

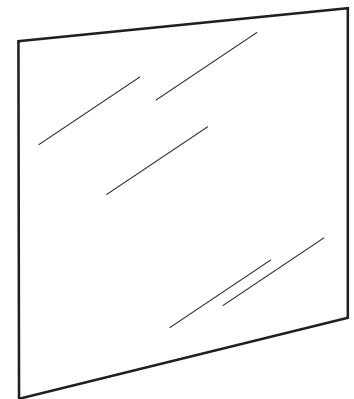
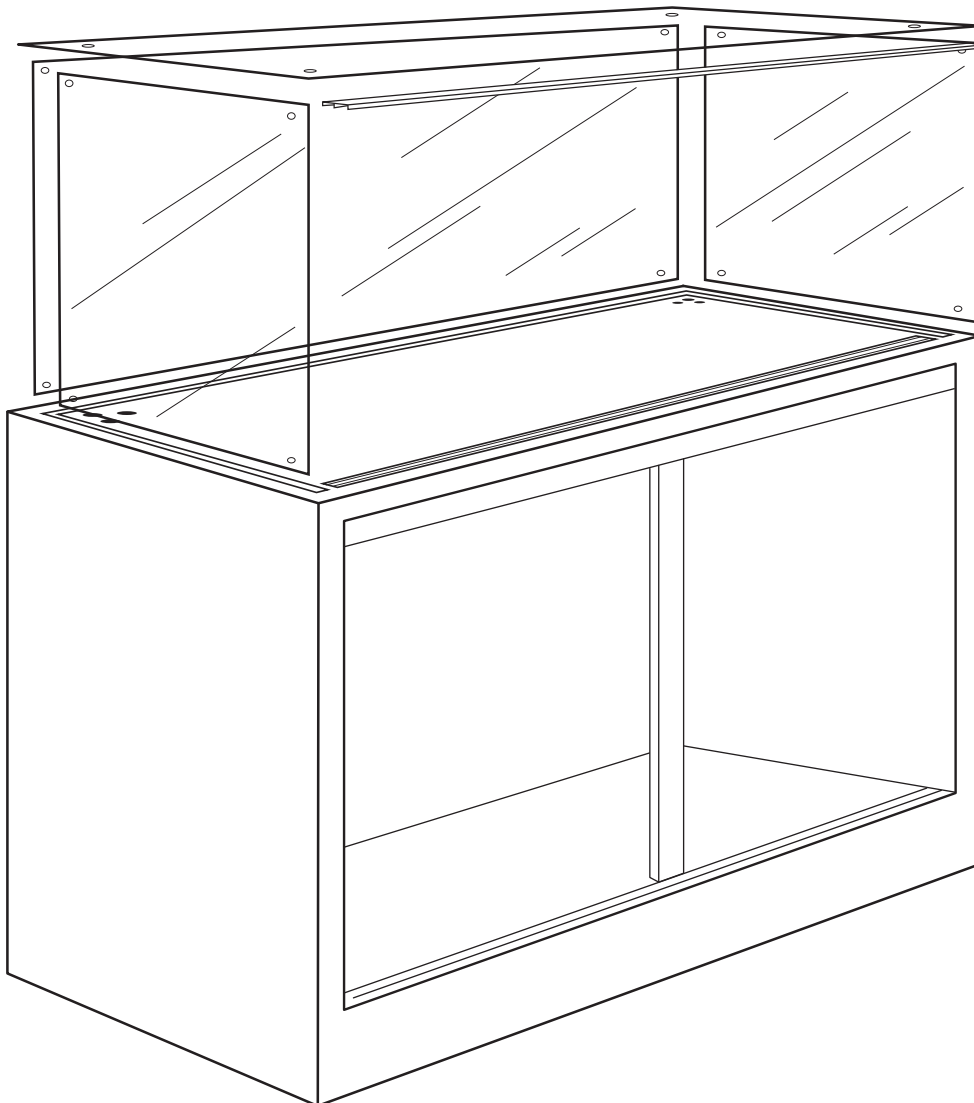
CAREFULLY REMOVE CABINET PIECES FROM PACKING. CABINET SETUP INCLUDES:

- (2 EACH) SLIDING GLASS DOORS
- (2 EACH - LEFT & RIGHT) SIDE GLASS
- (2 EACH) SLIDING BOTTOM DOORS
- TOP GLASS & FRONT GLASS
- LIGHT ADAPTOR & AC ADAPTOR / POWER CHORD
- CABINET BASE WITH ROLLERS (PRE-ASSEMBLED)

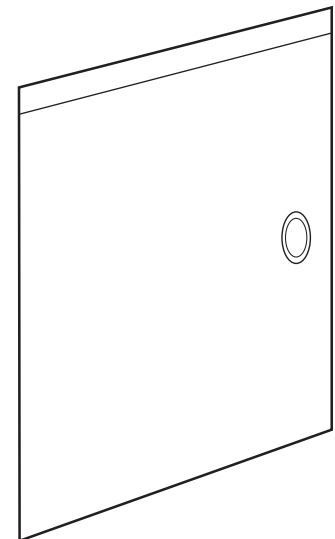
LIGHT ADAPTOR



AC ADAPTOR & POWER CHORD



SLIDING GLASS DOORS



SLIDING BOTTOM DOORS

ASSEMBLY INSTRUCTIONS MANUAL

#65282/287 (70" W) INFINITY JEWELRYSHOWCASE W/LIGHTS

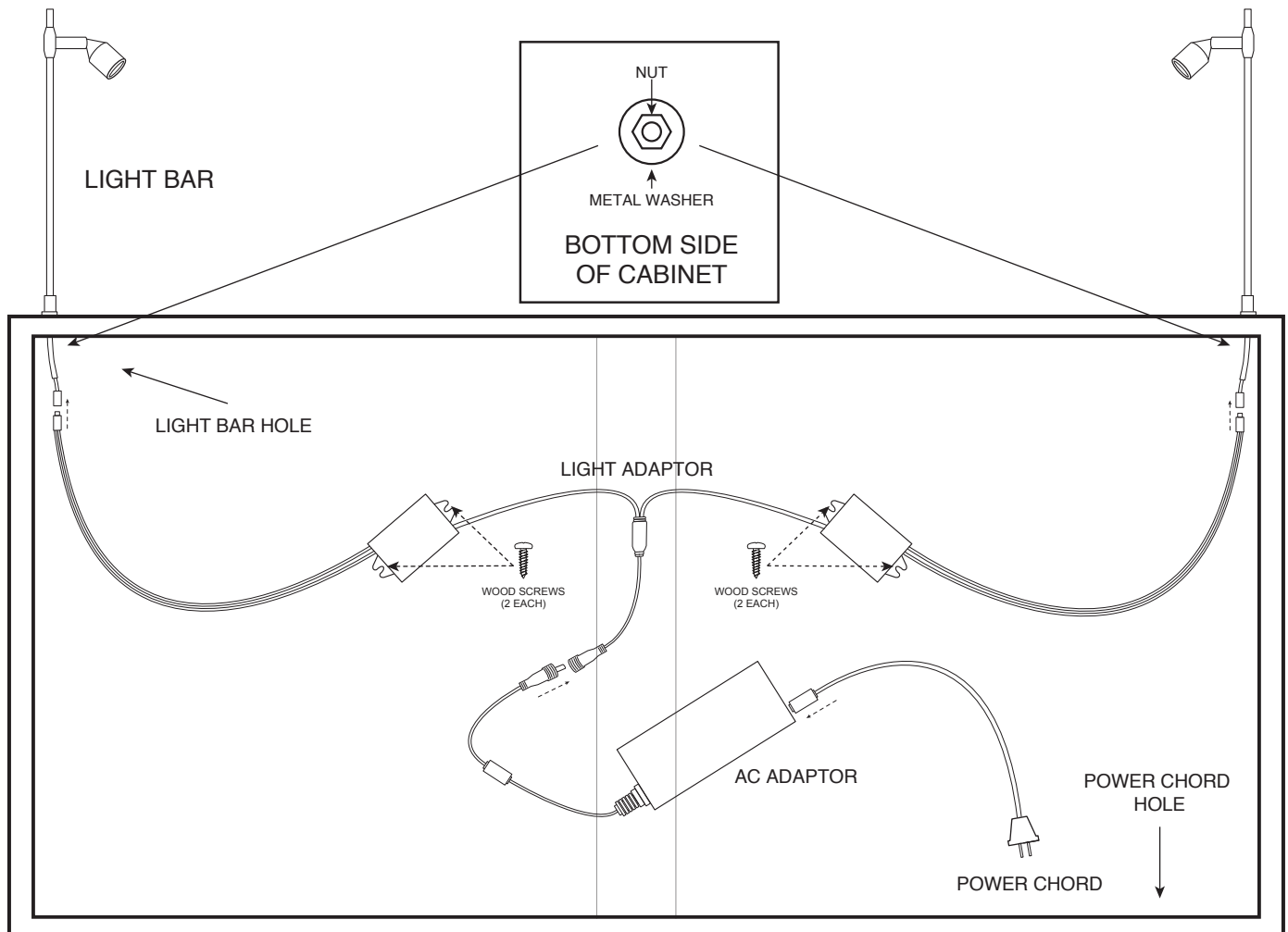
STEP 1. INSERT LIGHT BARS THROUGH WASHER, THEN LIGHT BAR HOLES IN BACK OF CABINET (WHERE SLIDING DOORS ARE LOCATED) AND SECURE WITH WASHER AND NUT ON BOTTOM SIDE OF CABINET WITH BOX WRENCH (PROVIDED).

***NOTE -** MAKE SURE LIGHT BARS ARE FACING INWARD - TOWARDS MIDDLE OF DISPLAY CASE.

STEP 2. ATTACH LIGHT ADAPTOR TO FRONT WALL WITH WOOD SCREWS USING A SCREWDRIVER. ATTACH LIGHT ADAPTOR END TO LIGHT BARS (2).

STEP 3. ATTACH LIGHT ADAPTOR TO AC ADAPTOR/POWER CHORD. WE RECOMMEND THAT YOU ATTACH IT TO THE FRONT WALL USING TWO WAY TAPE (NOT PROVIDED). OTHERWISE LET IT REST ON THE CABINET FLOOR.

RUN POWER CHORD THROUGH CUT-OUT ON CABINET FLOOR.



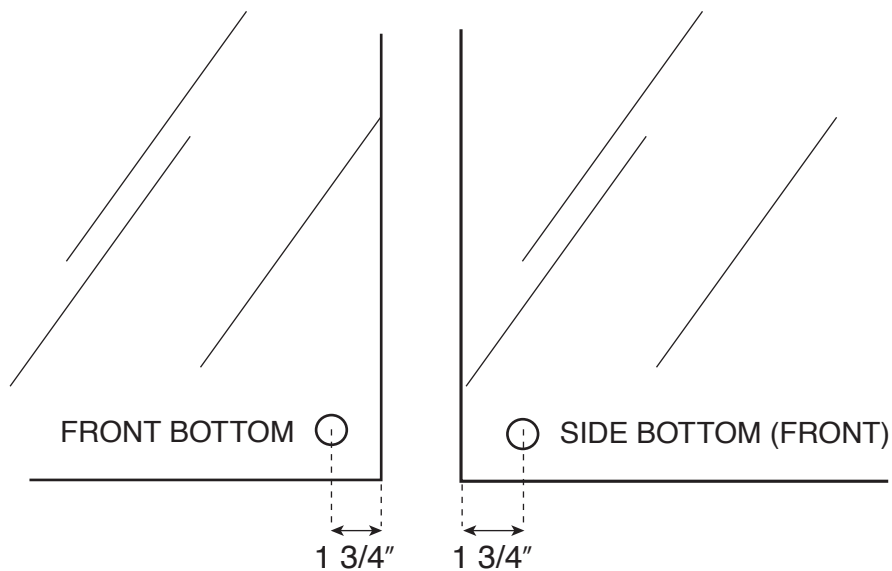
INSIDE OF BACK OF CABINET

ASSEMBLY INSTRUCTIONS MANUAL

#65282/287 (70" W) INFINITY JEWELRYSHOWCASE W/LIGHTS

IMPORTANT

BOTTOM OF FRONT BACK AND SIDE GLASS HAS A SLIGHTLY DIFFERENT HOLE PLACEMENT THAN THE TOP OF EACH PIECE OF GLASS



MEASURE THE GLASS SPACE BETWEEN EDGE OF GLASS AND CENTER OF HOLE.
HOLE FURTHEST FROM EDGE GOES ON BOTTOM.

GLASS CAN ONLY BE ASSEMBLED ONE WAY!

ASSEMBLY INSTRUCTIONS MANUAL

#65282/287 (70" W) INFINITY JEWELRY SHOWCASE W/LIGHTS

*** IN STEPS 4 THROUGH 9 OF THE ASSEMBLY - TWO PEOPLE ARE RECOMMENDED**

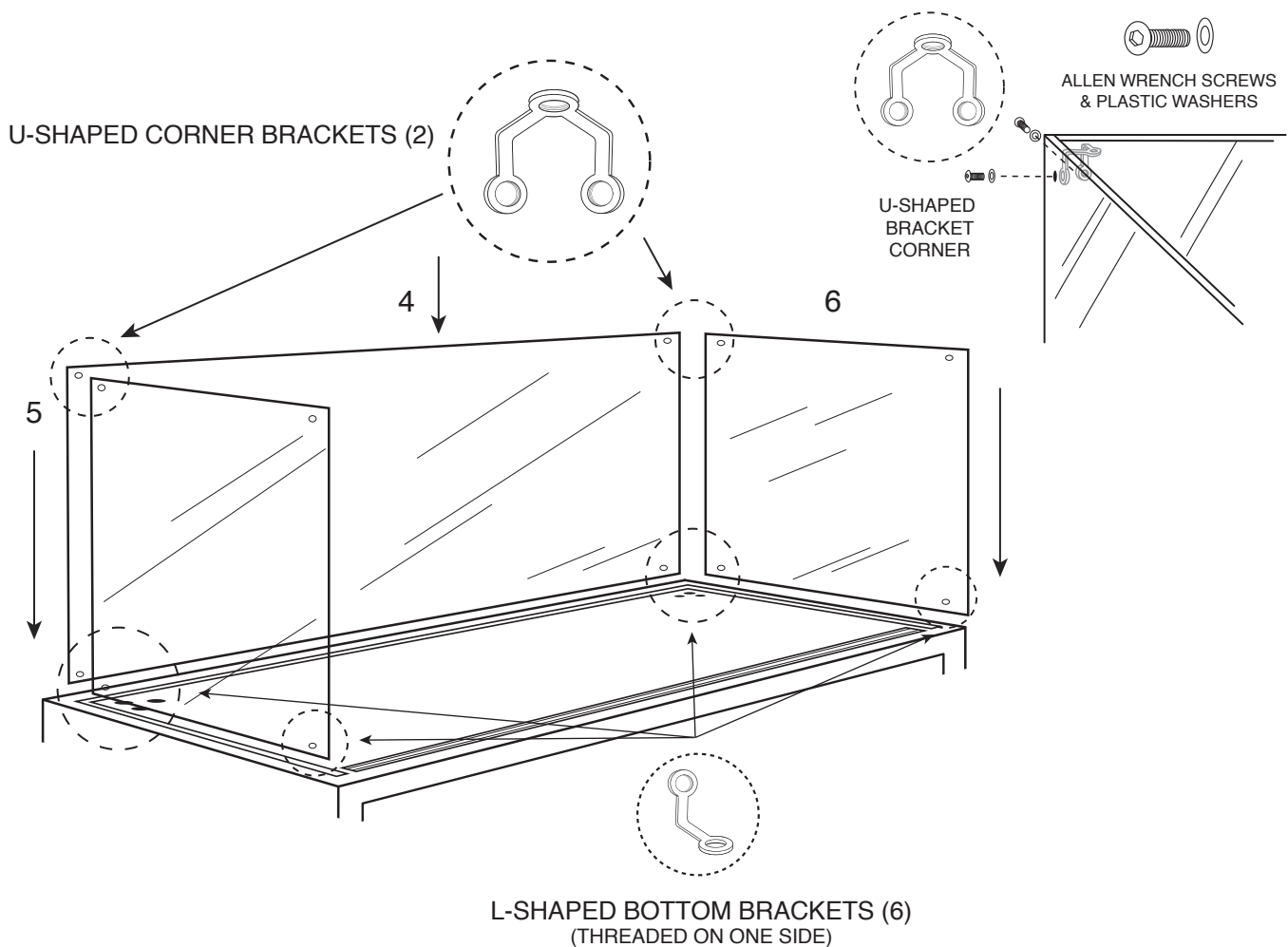
STEP 4. PLACE FRONT GLASS PANEL INTO FRONT GROOVE OF CABINET TOP. MAKE SURE GLASS PRECISELY FITS FRONT BASE GROOVE IN ORDER TO ACCOMODATE THE SIDE PANELS NEXT. MAKE CERTAIN ON BOTH BACK AND SIDE PANELS THAT YOU RECOGNIZE THE BOTTOM OF EACH PANEL CORRECTLY. *(SEE PAGE 5 FOR GLASS PLACEMENT)*

STEP 5. PLACE LEFT SIDE GLASS INTO BASE GROOVE WHILE HOLDING FRONT GLASS TO LINE UP FIRST GLASS BRACKET. ATTACH U-BRACKET WITH ALLEN WRENCH SCREWS AND WASHERS.

STEP 6. REPEAT STEP 5 FOR RIGHT SIDE.

STEP 7. HAND SCREW IN BOTTOM BRACKETS. DO NOT TIGHTEN WITH ALLEN WRENCH YET. THIS ALLOWS FLEXIBILITY UNTIL ASSEMBLY IS NEARLY COMPLETE.

STEP 8. WHEN BOTH SIDE PANELS ARE COMPLETE, USE ALLEN WRENCH TO TIGHTEN. *(DO NOT OVER TIGHTEN)*

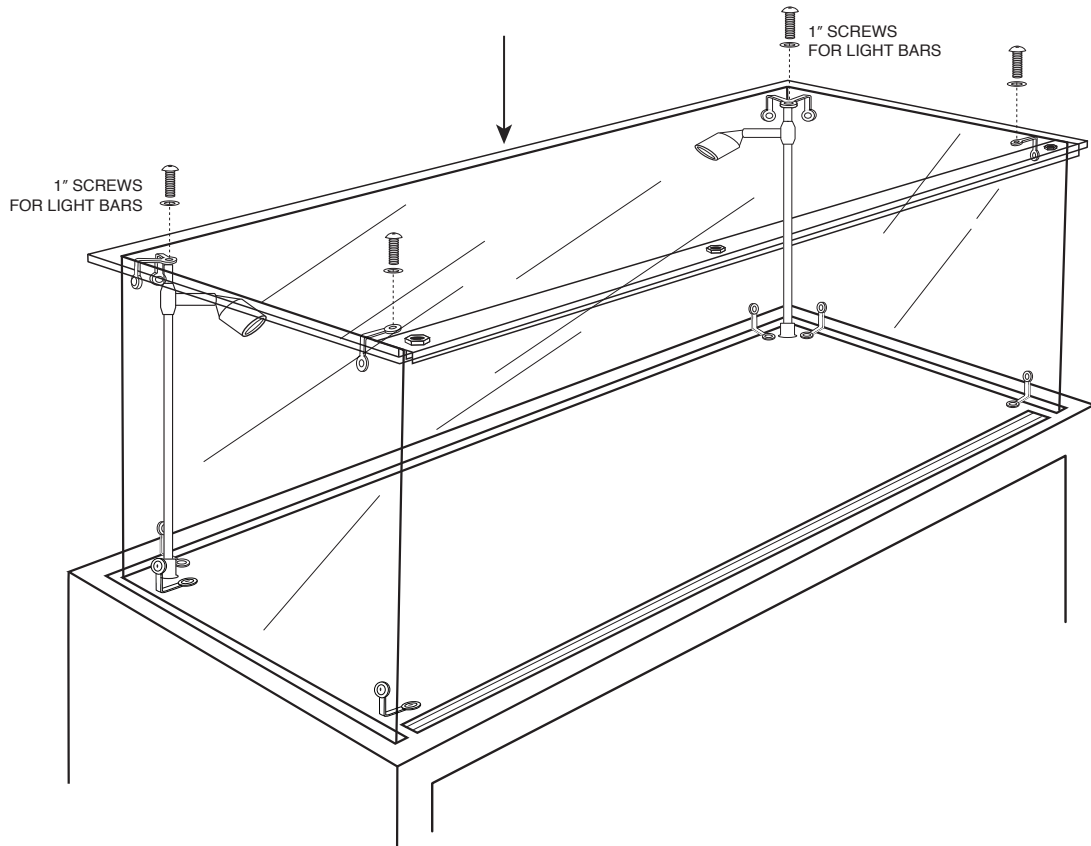


ASSEMBLY INSTRUCTIONS MANUAL

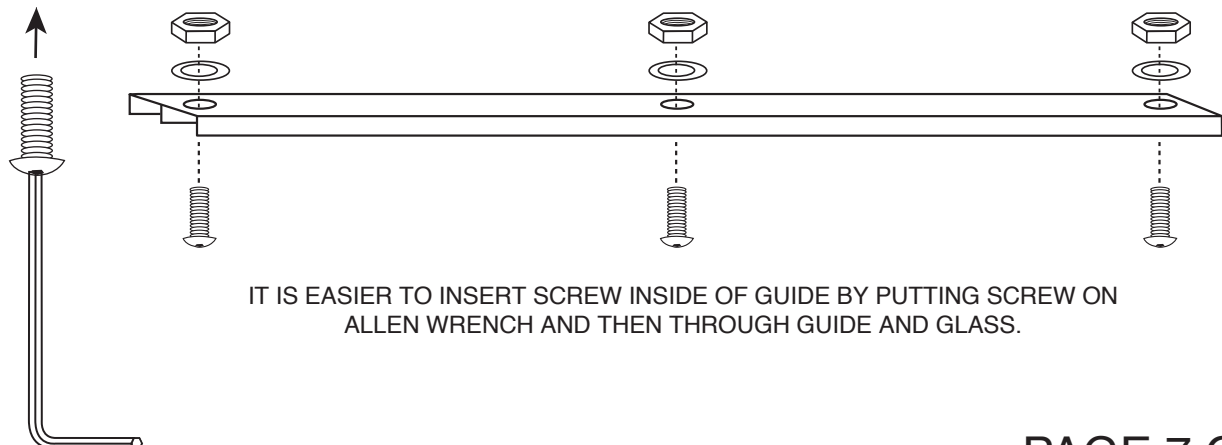
#65282/287 (70" W) INFINITY JEWELRY SHOWCASE W/LIGHTS

STEP 9. CAREFULLY SLIDE TOP GLASS ONTO CABINET MAKING SURE YOU HAVE AN OVERLAP ON BOTH SIDES.

STEP 10. SCREW ALLEN SCREWS (WITH PLASTIC WASHERS) INTO BOTH U-BRACKETS AND L-BRACKETS ON TOP. (**DO NOT OVER TIGHTEN**)



STEP 11. PLACE TOP GLASS DOOR ALUMINUM SLIDE GUIDE UNDER TOP GLASS.

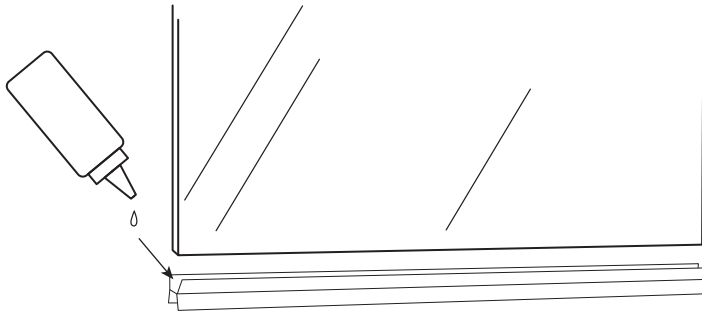


IT IS EASIER TO INSERT SCREW INSIDE OF GUIDE BY PUTTING SCREW ON ALLEN WRENCH AND THEN THROUGH GUIDE AND GLASS.

ASSEMBLY INSTRUCTIONS MANUAL

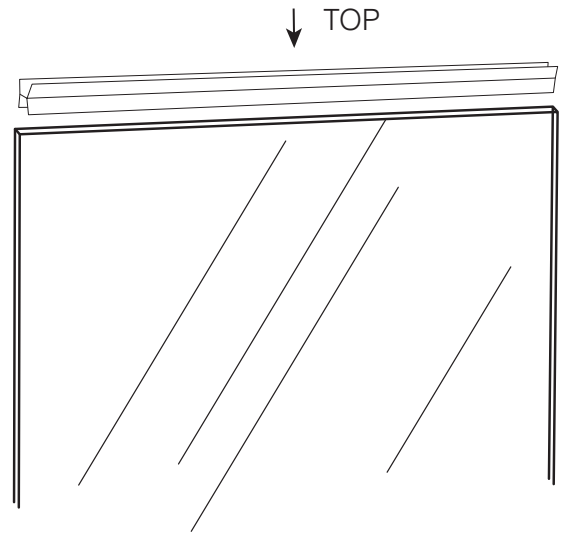
#65282/287 (70" W) INFINITY JEWELRY SHOWCASE W/LIGHTS

STEP 12. INSTALLING SLIDING GLASS DOORS. PLACE CLEAR PLASTIC SLEEVES ON TOP OF GLASS DOORS. TAP ON SLEEVES WITH RUBBER Mallet.

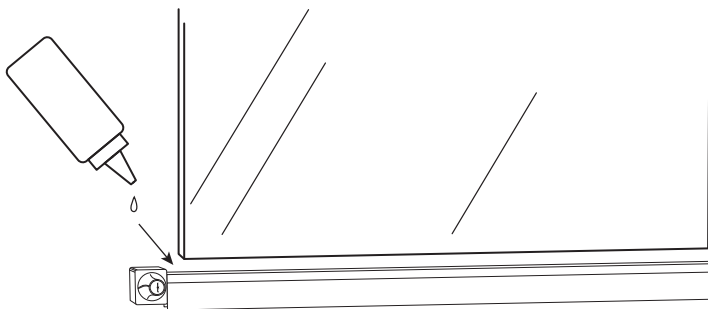


RUN BEAD OF ANY TYPE OF GLUE ON INSIDE (BOTTOM) OF TOP PLASTIC SLEEVE. THEN TAP SLEEVES ON TOP OF THE GLASS WITH A RUBBER Mallet.

THIS PREVENTS THE SLEEVES FROM MOVING ONCE ASSEMBLY IS COMPLETE AND DOORS ARE MOVED.

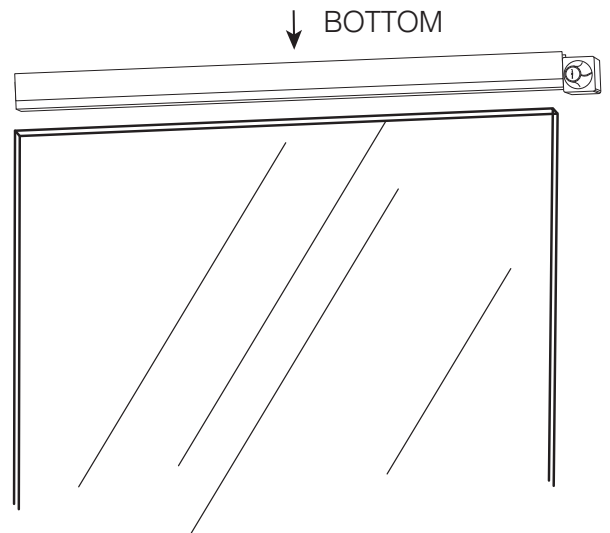


PLACE METAL SLEEVES (WITH LOCK TO THE LEFT) ON BOTTOM OF GLASS DOORS. TAP ON SLEEVES WITH RUBBER Mallet.



RUN BEAD OF ANY TYPE OF GLUE ON INSIDE (TOP) OF BOTTOM METAL SLEEVE. THEN TAP SLEEVES ON BOTTOM OF THE GLASS WITH A RUBBER Mallet.

THIS PREVENTS THE SLEEVES FROM MOVING ONCE ASSEMBLY IS COMPLETE AND DOORS ARE MOVED.

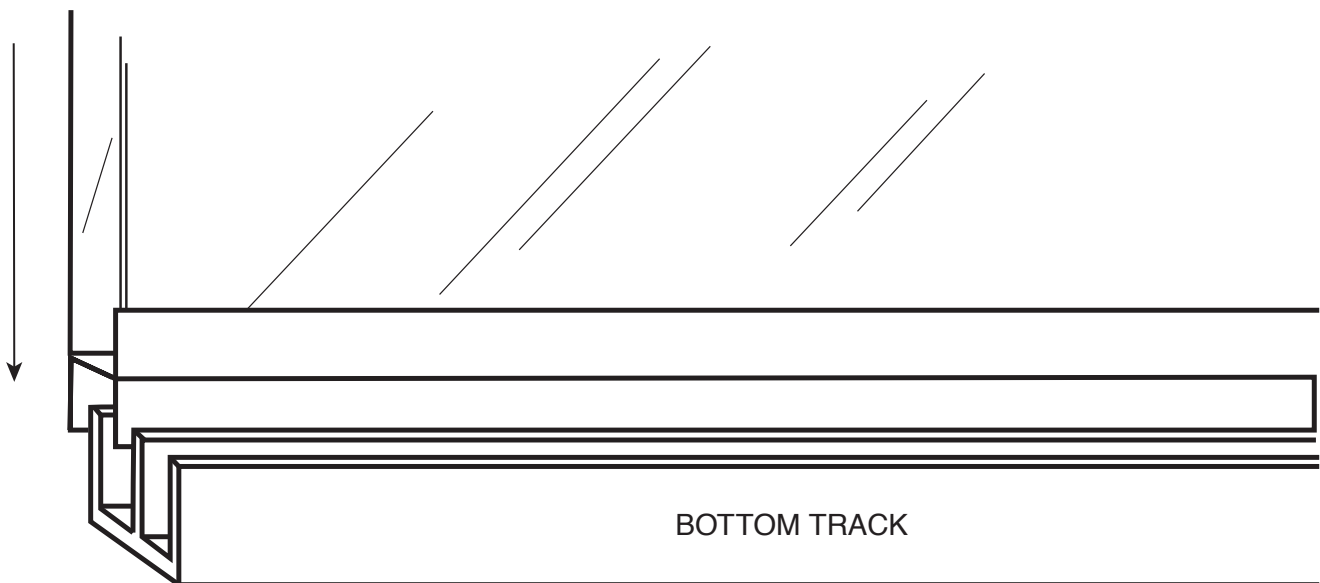


ASSEMBLY INSTRUCTIONS MANUAL

#65282/287 (70" W) INFINITY JEWELRY SHOWCASE W/LIGHTS

STEP 13. INSERT LEFT DOOR (WITHOUT LOCK - MAKE SURE HOLE IN BOTTOM METAL SLEEVE IS FACING YOU / ON THE RIGHT) INTO TOP OF BACK TRACK, THEN LOWER INTO BOTTOM BACK TRACK AND SLIDE TO THE LEFT.

INSERT RIGHT DOOR (INSTALLED LOCK ASSEMBLY ON THE LEFT) INTO TOP OF FRONT TRACK, THEN LOWER INTO BOTTOM FRONT TRACK AND SLIDE TO THE RIGHT.



ASSEMBLY INSTRUCTIONS MANUAL

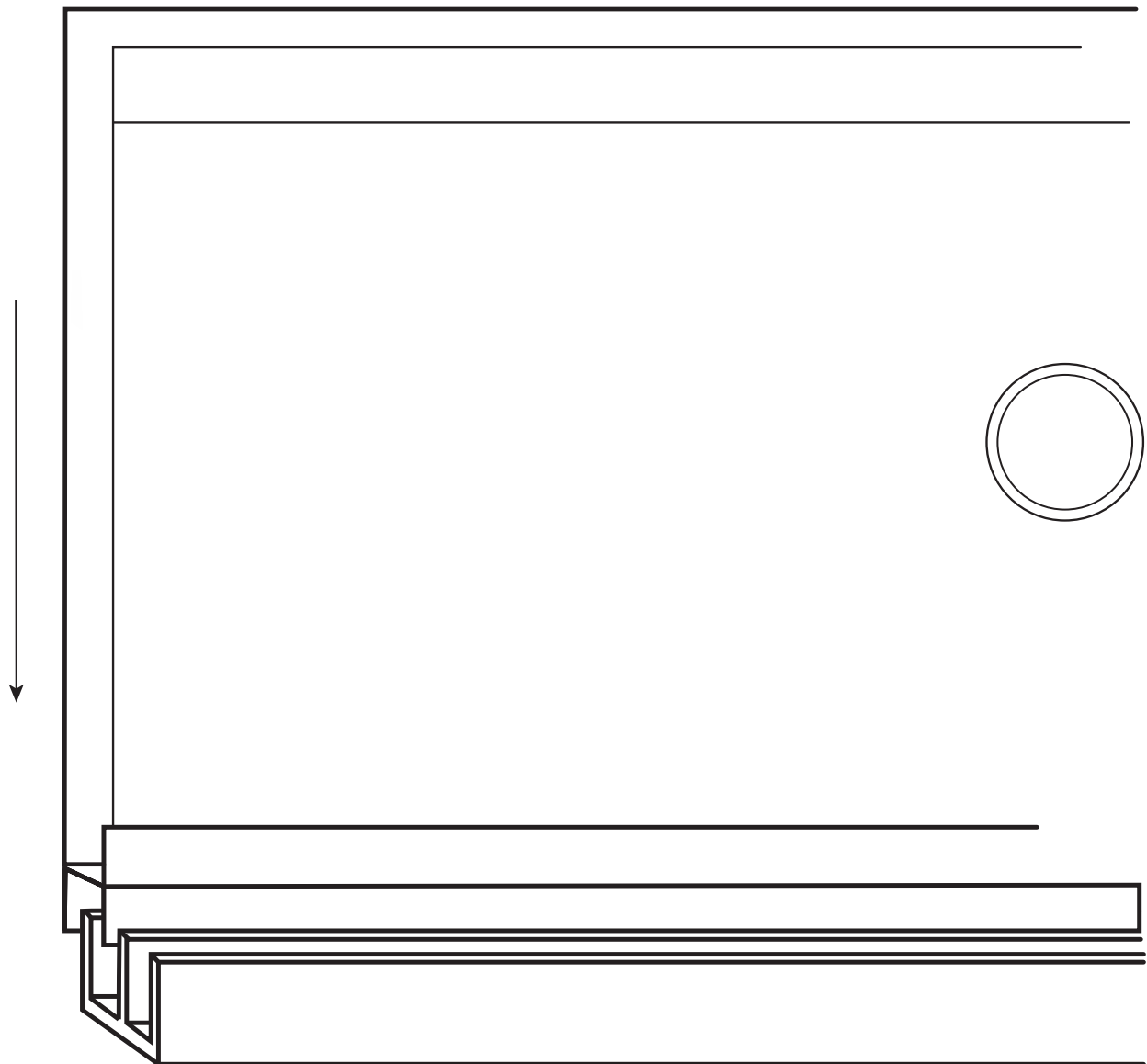
#65282/287 (70" W) INFINITY JEWELRY SHOWCASE W/LIGHTS

STEP 14. INSTALLING BOTTOM SLIDING DOORS

INSERT LEFT DOOR INTO TOP OF BACK TRACK, THEN LOWER INTO BOTTOM BACK TRACK AND SLIDE TO THE LEFT.

INSERT RIGHT DOOR INTO TOP OF FRONT TRACK, THEN LOWER INTO BOTTOM FRONT TRACK AND SLIDE TO THE RIGHT.

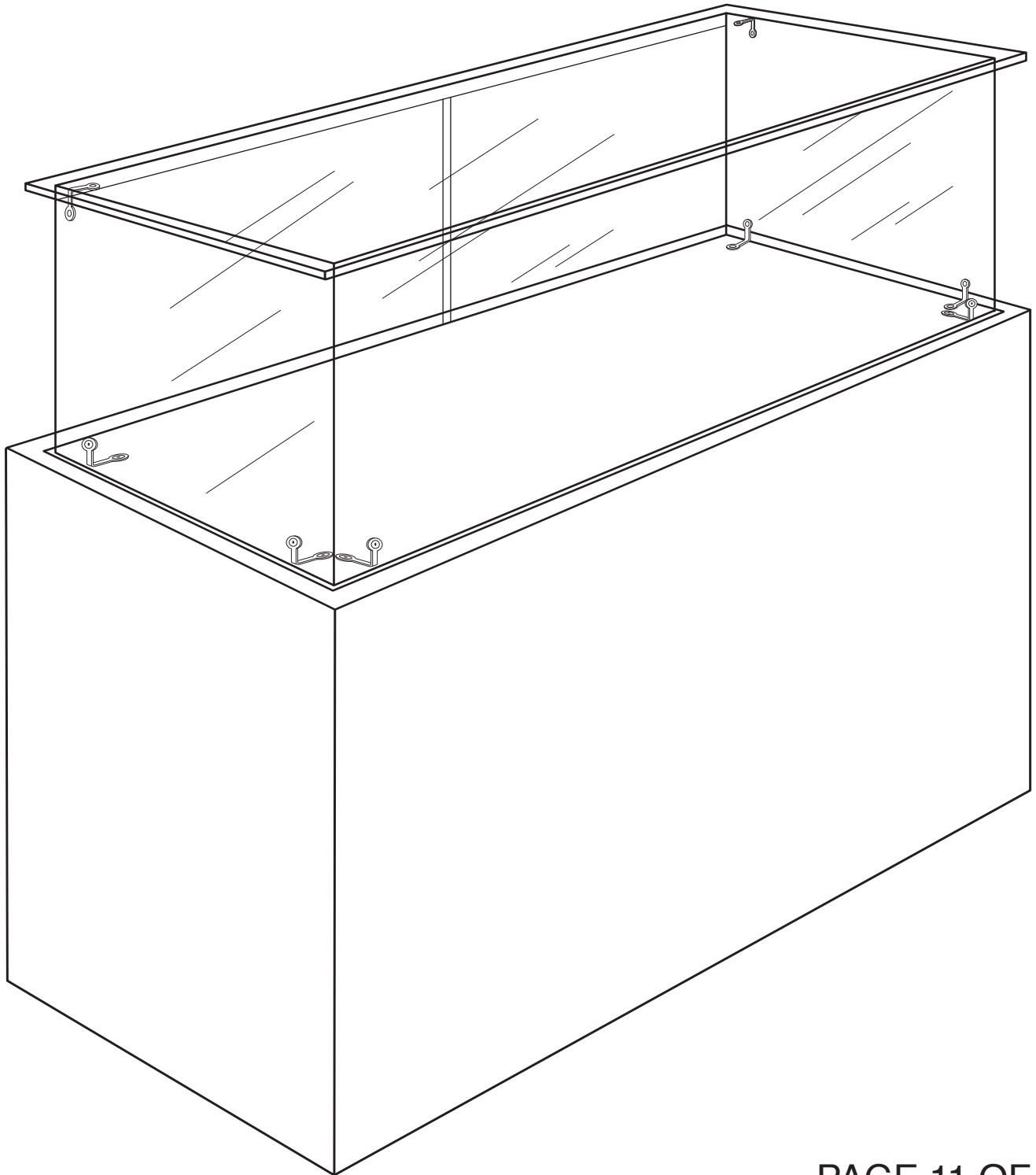
THIS COMPLETES THE ASSEMBLY.



BOTTOM SLIDING DOORS

ASSEMBLY INSTRUCTIONS MANUAL

65282 (70" W) INFINITY JEWELRY SHOWCASE



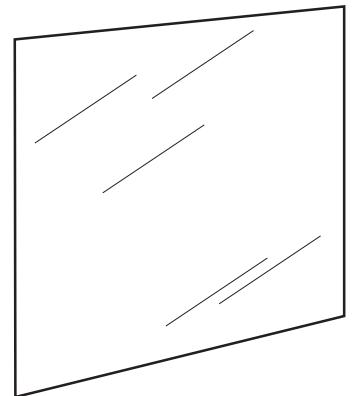
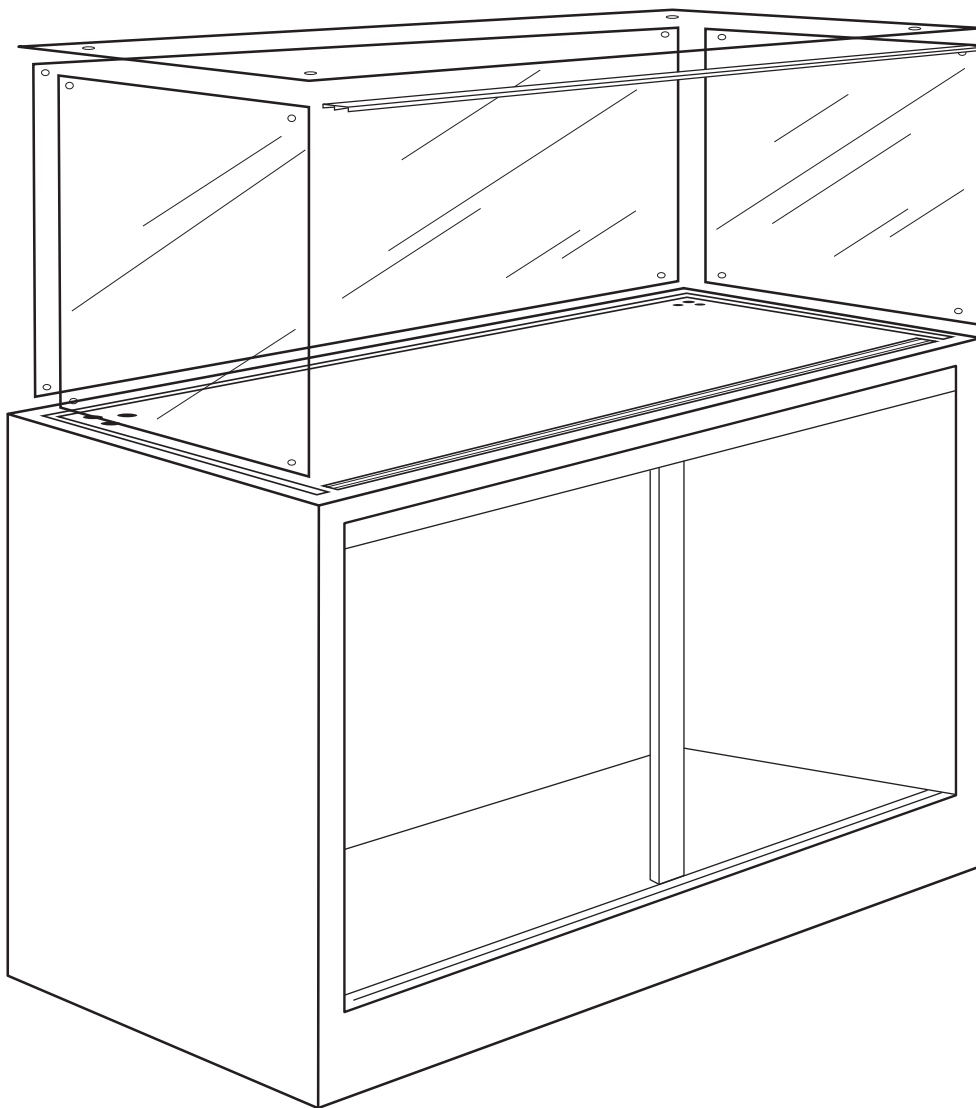
ASSEMBLY INSTRUCTIONS MANUAL

65282 (70" W) INFINITY JEWELRY SHOWCASE

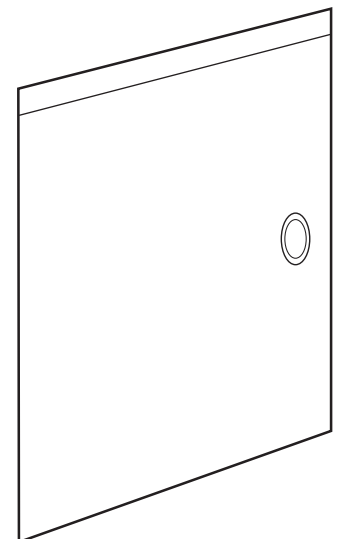
PARTS IN CARTON:

CAREFULLY REMOVE CABINET PIECES FROM PACKING. CABINET SETUP INCLUDES:

- (2 EACH) SLIDING GLASS DOORS
- (2 EACH - LEFT & RIGHT) SIDE GLASS
- (2 EACH) SLIDING BOTTOM DOORS
- TOP GLASS & FRONT GLASS



SLIDING GLASS DOORS



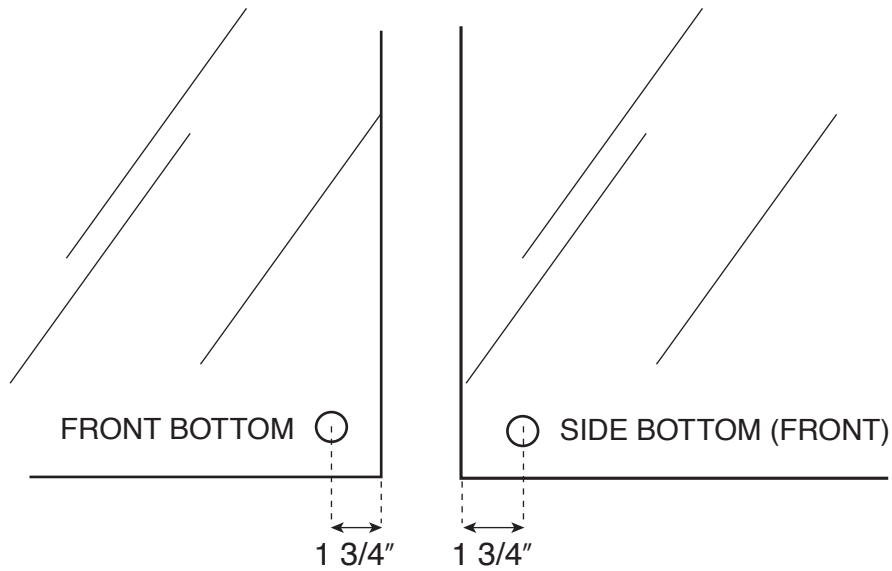
SLIDING BOTTOM DOORS

ASSEMBLY INSTRUCTIONS MANUAL

65282 (70" W) INFINITY JEWELRY SHOWCASE

IMPORTANT

BOTTOM OF FRONT BACK AND SIDE GLASS HAS A SLIGHTLY DIFFERENT HOLE PLACEMENT THAN THE TOP OF EACH PIECE OF GLASS



MEASURE THE GLASS SPACE BETWEEN EDGE OF GLASS AND CENTER OF HOLE.
HOLE FURTHEST FROM EDGE GOES ON BOTTOM.

GLASS CAN ONLY BE ASSEMBLED ONE WAY!

ASSEMBLY INSTRUCTIONS MANUAL

65282 (70" W) INFINITY JEWELRY SHOWCASE

*** IN STEPS 1 THROUGH 4 OF THE ASSEMBLY - TWO PEOPLE ARE RECOMMENDED**

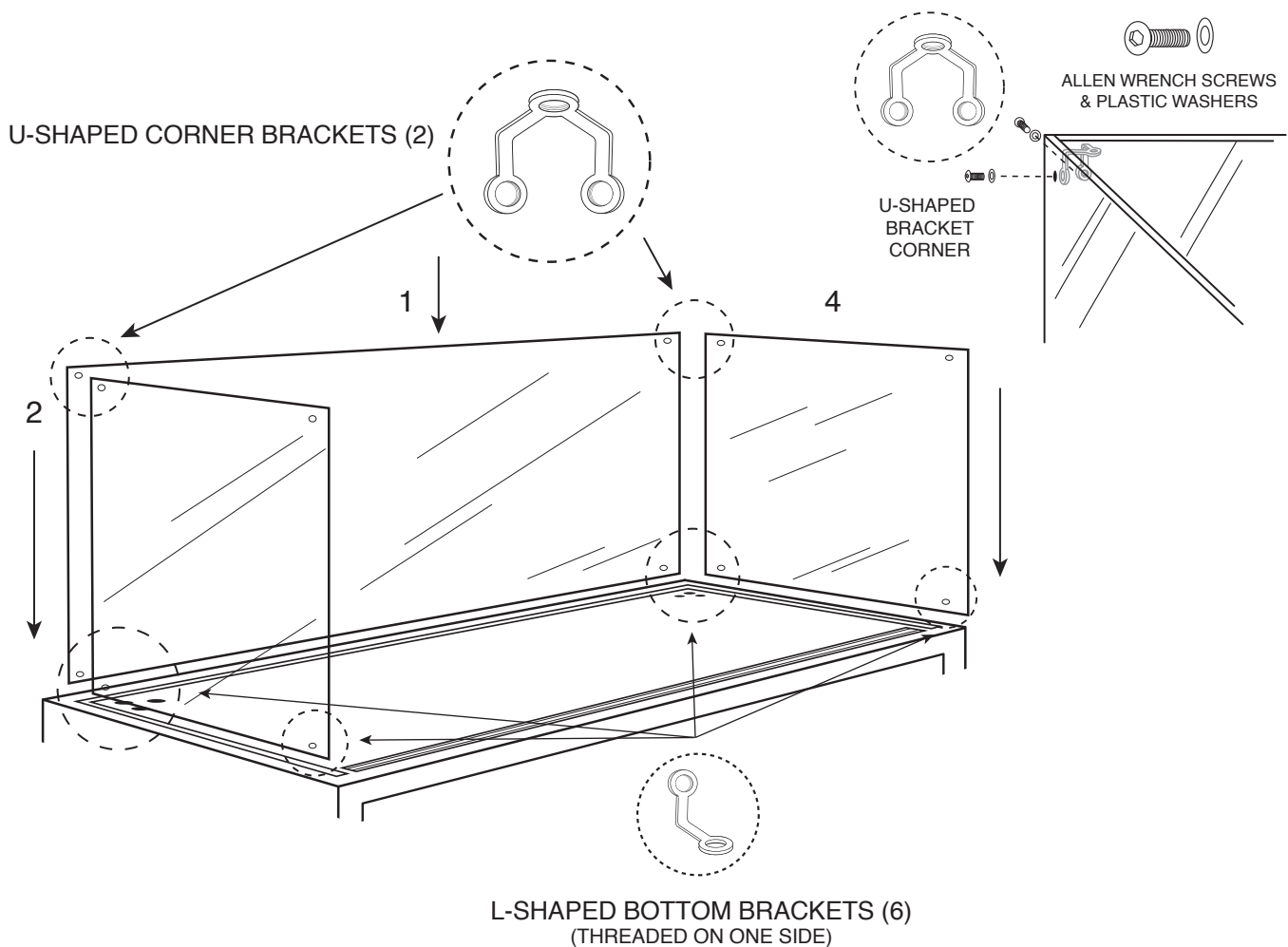
STEP 1. PLACE FRONT GLASS PANEL INTO FRONT GROOVE OF CABINET TOP. MAKE SURE GLASS PRECISELY FITS FRONT BASE GROOVE IN ORDER TO ACCOMODATE THE SIDE PANELS NEXT. MAKE CERTAIN ON BOTH BACK AND SIDE PANELS THAT YOU RECOGNIZE THE BOTTOM OF EACH PANEL CORRECTLY. *(SEE PAGE 5 FOR GLASS PLACEMENT)*

STEP 2. PLACE LEFT SIDE GLASS INTO BASE GROOVE WHILE HOLDING FRONT GLASS TO LINE UP FIRST GLASS BRACKET. ATTACH U-BRACKET WITH ALLEN WRENCH SCREWS AND WASHERS.

STEP 3. REPEAT STEP 5 FOR RIGHT SIDE.

STEP 4. HAND SCREW IN BOTTOM BRACKETS. DO NOT TIGHTEN WITH ALLEN WRENCH YET. THIS ALLOWS FLEXIBILITY UNTIL ASSEMBLY IS NEARLY COMPLETE.

STEP 5. WHEN BOTH SIDE PANELS ARE COMPLETE, USE ALLEN WRENCH TO TIGHTEN. *(DO NOT OVER TIGHTEN)*

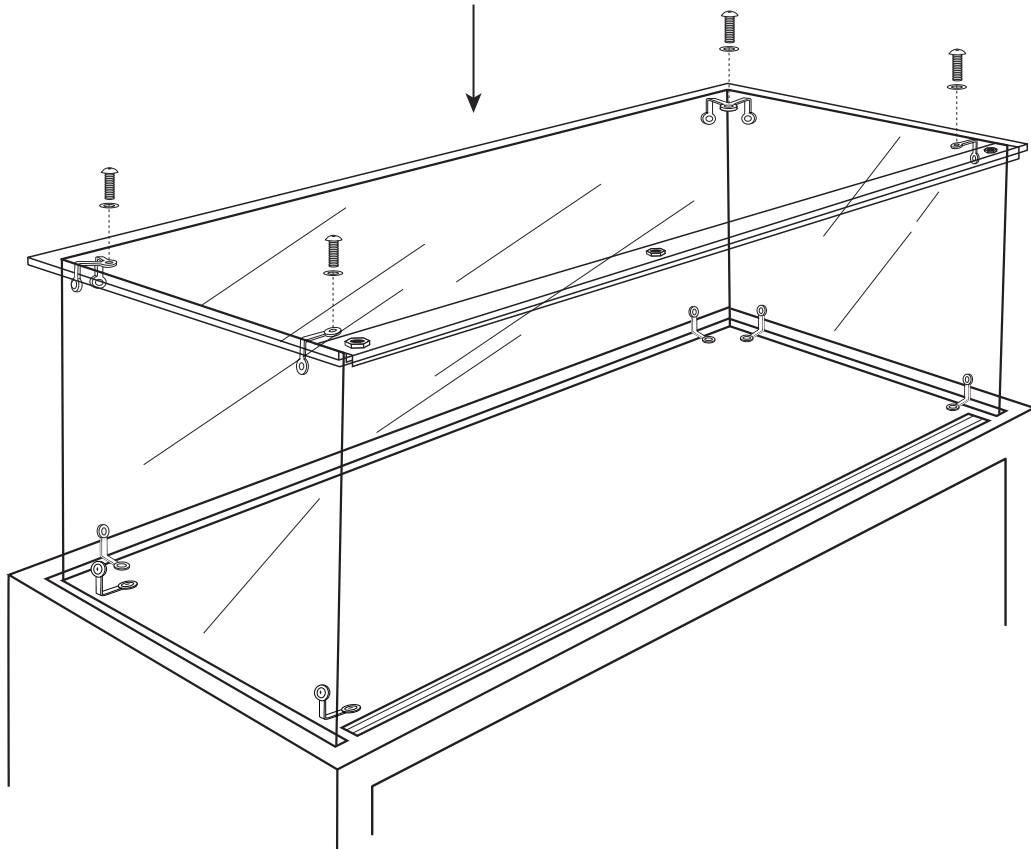


ASSEMBLY INSTRUCTIONS MANUAL

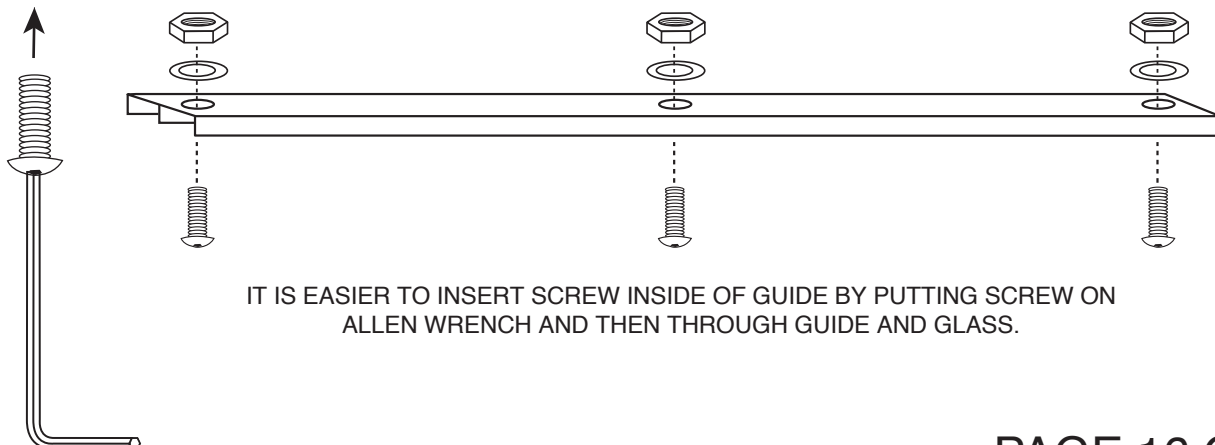
65282 (70" W) INFINITY JEWELRY SHOWCASE

STEP 6. CAREFULLY SLIDE TOP GLASS ONTO CABINET MAKING SURE YOU HAVE AN OVERLAP ON BOTH SIDES.

STEP 7. SCREW ALLEN SCREWS (WITH PLASTIC WASHERS) INTO BOTH U-BRACKETS AND L-BRACKETS ON TOP. (**DO NOT OVER TIGHTEN**)



STEP 8. PLACE TOP GLASS DOOR ALUMINUM SLIDE GUIDE UNDER TOP GLASS.

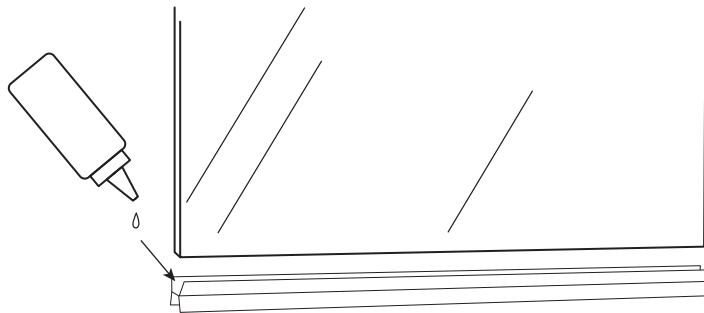


IT IS EASIER TO INSERT SCREW INSIDE OF GUIDE BY PUTTING SCREW ON ALLEN WRENCH AND THEN THROUGH GUIDE AND GLASS.

ASSEMBLY INSTRUCTIONS MANUAL

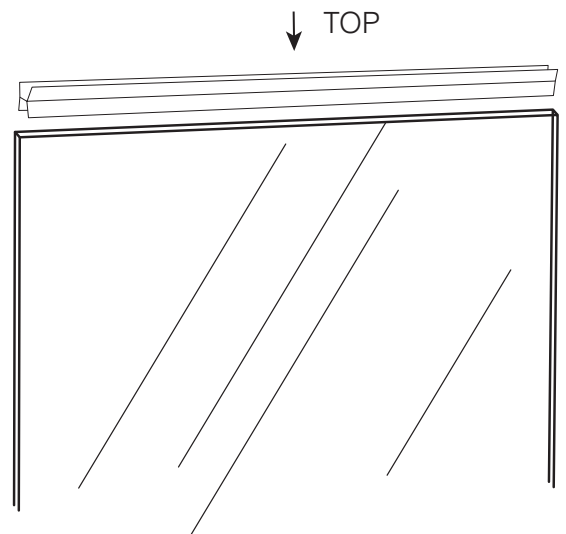
65282 (70" W) INFINITY JEWELRY SHOWCASE

STEP 9. INSTALLING SLIDING GLASS DOORS. PLACE CLEAR PLASTIC SLEEVES ON TOP OF GLASS DOORS. TAP ON SLEEVES WITH RUBBER Mallet.

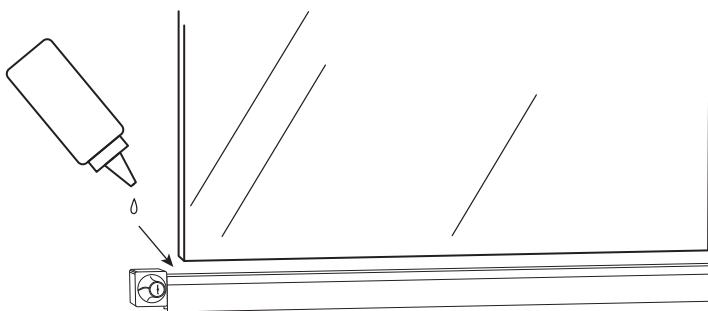


RUN BEAD OF ANY TYPE OF GLUE ON INSIDE (BOTTOM) OF TOP PLASTIC SLEEVE. THEN TAP SLEEVES ON TOP OF THE GLASS WITH A RUBBER Mallet.

THIS PREVENTS THE SLEEVES FROM MOVING ONCE ASSEMBLY IS COMPLETE AND DOORS ARE MOVED.

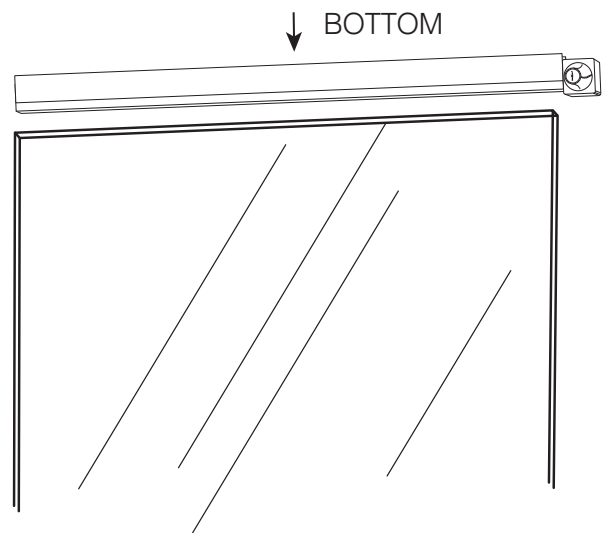


PLACE METAL SLEEVES (WITH LOCK TO THE LEFT) ON BOTTOM OF GLASS DOORS. TAP ON SLEEVES WITH RUBBER Mallet.



RUN BEAD OF ANY TYPE OF GLUE ON INSIDE (TOP) OF BOTTOM METAL SLEEVE. THEN TAP SLEEVES ON BOTTOM OF THE GLASS WITH A RUBBER Mallet.

THIS PREVENTS THE SLEEVES FROM MOVING ONCE ASSEMBLY IS COMPLETE AND DOORS ARE MOVED.

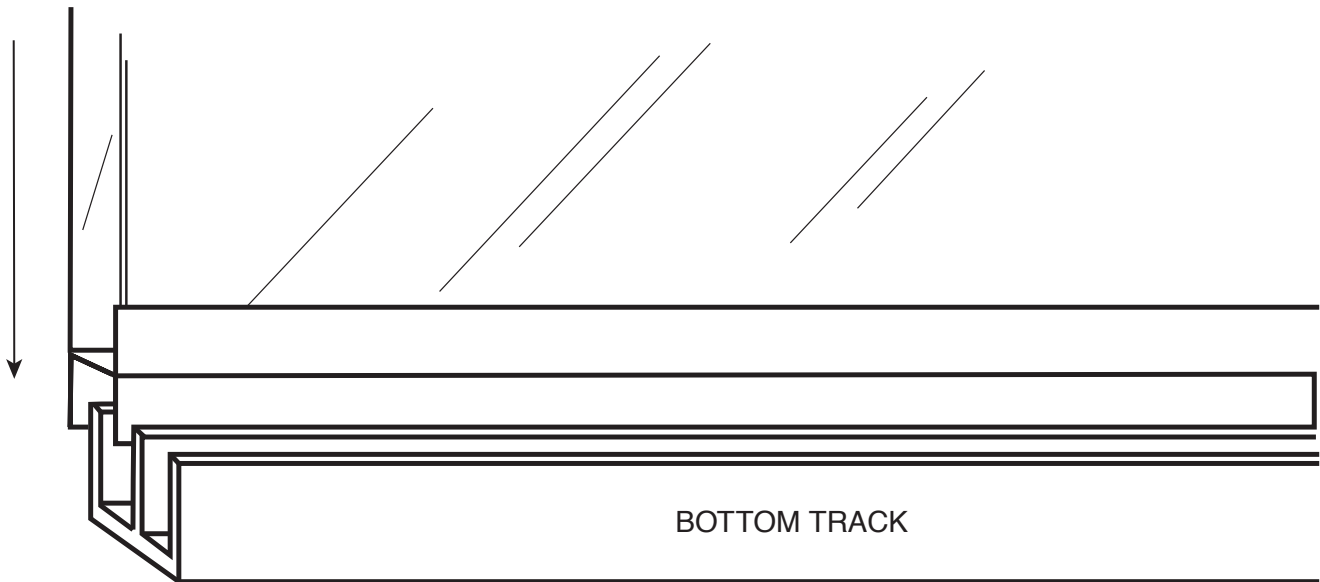


ASSEMBLY INSTRUCTIONS MANUAL

65282 (70" W) INFINITY JEWELRY SHOWCASE

STEP 10. INSERT LEFT DOOR (WITHOUT LOCK - MAKE SURE HOLE IN BOTTOM METAL SLEEVE IS FACING YOU / ON THE RIGHT) INTO TOP OF BACK TRACK, THEN LOWER INTO BOTTOM BACK TRACK AND SLIDE TO THE LEFT.

INSERT RIGHT DOOR (INSTALLED LOCK ASSEMBLY ON THE LEFT) INTO TOP OF FRONT TRACK, THEN LOWER INTO BOTTOM FRONT TRACK AND SLIDE TO THE RIGHT.



ASSEMBLY INSTRUCTIONS MANUAL

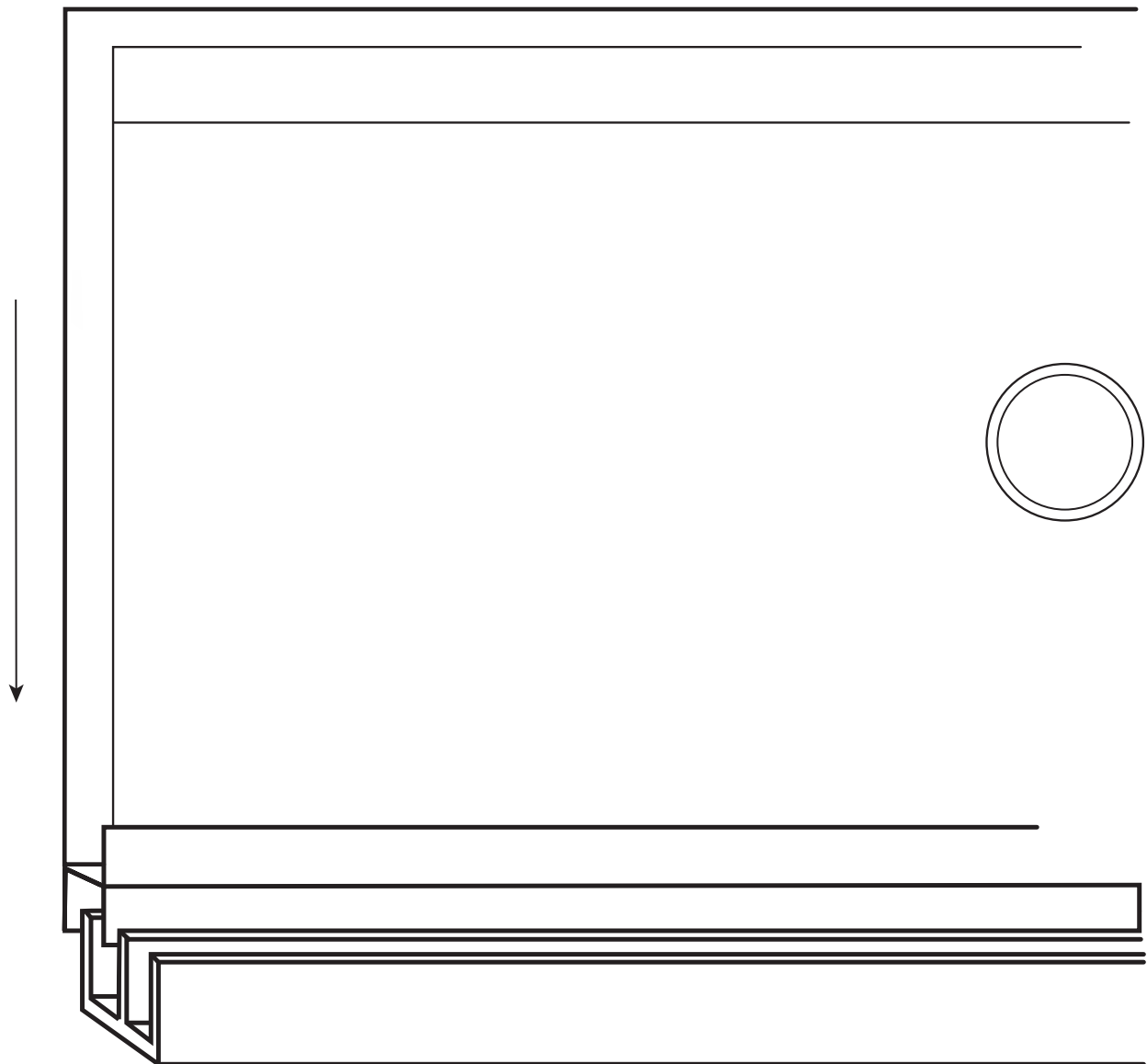
65282 (70" W) INFINITY JEWELRY SHOWCASE

STEP 11. INSTALLING BOTTOM SLIDING DOORS

INSERT LEFT DOOR INTO TOP OF BACK TRACK, THEN LOWER INTO BOTTOM BACK TRACK AND SLIDE TO THE LEFT.

INSERT RIGHT DOOR INTO TOP OF FRONT TRACK, THEN LOWER INTO BOTTOM FRONT TRACK AND SLIDE TO THE RIGHT.

THIS COMPLETES THE ASSEMBLY.



BOTTOM SLIDING DOORS